



# CO.SIME.

EQUIPMENT FOR ATEX



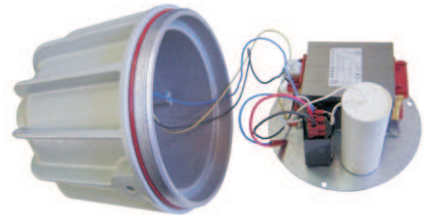
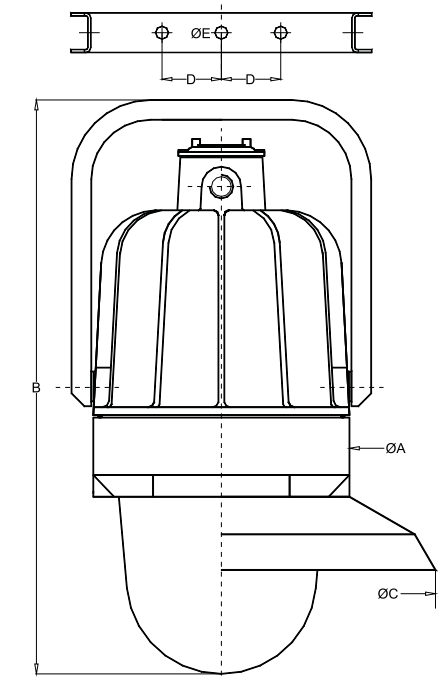


|             |  |           |             |   |
|-------------|--|-----------|-------------|---|
| <b>GAS</b>  | <b>II2G Ex de IIC T4 ÷ T3</b>          | <b>Gb</b> | <b>IP66</b> | <b>Zone 1 - Zone 21 - Zone 2 - Zone 22</b>    |
| <b>DUST</b> | <b>II2D Ex tb IIIC T130°C ÷ T195°C</b> | <b>Db</b> | <b>IP66</b> | <b>❄️-20°C ÷ ☀️+40°C    ❄️-20°C ÷ ☀️+60°C</b> |

|                        |   |
|------------------------|---|
| <b>Materiale :</b>     | corpo : lega leggera<br>trasparente : vetro borosilicato<br>portalampane : ceramico |
| <b>Installazione :</b> | universale con staffa in acciaio inox AISI 304                                      |
| <b>Viteria :</b>       | Acciaio inox AISI 304   |
| <b>Guarnizioni :</b>   | +40°C EPDM , +60°C Silicone   |
| <b>Collegamento :</b>  | Morsettiera Ex e  |
| <b>Ingresso :</b>      | N° 2 ø3/4"  |
| <b>Peso :</b>          | 11 + 18 kg  |
| <b>Material :</b>      | body : light alloy<br>transparent : borosilicate glass<br>lamp holder : ceramic     |
| <b>Installation :</b>  | universal with stainless steel AISI 304 bracket                                     |
| <b>Hardware :</b>      | Stainless steel AISI 304  |
| <b>Gaskets :</b>       | +40°C EPDM , +60°C Silicon  |
| <b>Connection :</b>    | Ex e II Terminals   |
| <b>Cable entry :</b>   | N° 1 ø3/4"  |
| <b>Weight :</b>        | 11 + 18 kg  |

|                      |                                 |
|----------------------|---------------------------------|
| <b>Potenza :</b>     | Vedi tabella                    |
| <b>Tensione :</b>    | 230V a richiesta altre tensioni |
| <b>Frequenza :</b>   | 50Hz + 60Hz                     |
| <b>Morsettiera :</b> | 2,5mm <sup>2</sup>              |
| <b>Power :</b>       | See table                       |
| <b>Voltage :</b>     | 230V other voltages on request  |
| <b>Frequency :</b>   | 50Hz + 60Hz                     |
| <b>Terminals :</b>   | 2,5mm <sup>2</sup>              |

| Codice / Code  | ØA  | B   | ØC  | D  | ØE | max [W] |
|----------------|-----|-----|-----|----|----|---------|
| <b>EWE 125</b> | 174 | 294 | 300 | 35 | 11 | 200     |
| <b>EWE 250</b> | 196 | 375 | 336 | 35 | 11 | 300     |
| <b>EWE 400</b> | 259 | 416 | 450 | 60 | 13 | 500     |



| Codice Code  | Grandezza Size | Potenza Power  | Attacco Cap | Temp class @+40°C | Temp class @+60°C | Temp class @+80°C | Peso Weight |
|--|----------------|----------------|-------------|-------------------|-------------------|-------------------|-------------|
| <b>Vapori di mercurio / Mercury vapour</b>         |                |                |             |                   |                   |                   |             |
| <b>EWE 125RHg</b>                                  | <b>EWE 125</b> | 80 W           | E27         | T4                | T4                | -                 | 11,00       |
| <b>EWE 250RHg</b>                                  | <b>EWE 250</b> | 250 W          | E40         | T3                | T3                | -                 | 12,50       |
| <b>EWE 400RHg</b>                                  | <b>EWE 400</b> | 400 W          | E40         | T3                | T3                | -                 | 17,50       |
| <b>Ioduri metallici / Metal halide</b>             |                |                |             |                   |                   |                   |             |
| <b>EWE 100RMH</b>                                  | <b>EWE 125</b> | 100 W          | E27         | T4                | T4                | -                 | 10,00       |
| <b>EWE 150RMH</b>                                  | <b>EWE 150</b> | 150 W          | E27         | T3                | T3                | -                 | 12,00       |
| <b>EW.. 250RMH</b>                                 | <b>EWE 250</b> | 250 W (2,15A)  | E40         | T3                | T3                | -                 | 13,00       |
| <b>EW.. 400RMH</b>                                 | <b>EWE 400</b> | 400 W ( 3,25A) | E40         | T3                | T3                | -                 | 18,00       |
| <b>Sodio alta pressione / high pressure sodium</b> |                |                |             |                   |                   |                   |             |
| <b>EWE 70RNa</b>                                   | <b>EWE 125</b> | 70 W           | E27         | T4                | T4                | -                 | 10,00       |
| <b>EWE 150RNa</b>                                  | <b>EWE 250</b> | 150 W          | E27         | T3                | T3                | -                 | 12,00       |
| <b>EWE 250RNa</b>                                  | <b>EWE 250</b> | 250 W          | E40         | T3                | T3                | -                 | 13,00       |
| <b>EWE 400RNa</b>                                  | <b>EWE 400</b> | 400 W          | E40         | T3                | T3                | -                 | 18,00       |



**GAS** II2G Ex de IIC T5 ÷ T4 **Gb**

**IP66**

Zone 1 - Zone 21 - Zone 2 - Zone 22

**DUST** II2D Ex tb IIIC T95°C ÷ T130°C **Db**

**IP66**

❄️ -20°C ÷ ☀️ +40°C

❄️ -20°C ÷ ☀️ +60°C

**Future Proof**

**Materiale :**  
corpo : lega leggera  
trasparente : vetro piano temperato

**Installazione :** universale con staffa in acciaio inox AISI 304  
**Viteria :** Acciaio inox AISI 304  
**Guarnizioni :** +40°C EPDM , +60°C Silicone  
**Collegamento :** Morsettiera Ex e  
**Ingresso :** N° 2 ø3/4"  
**Peso :** 7 + 16 kg

**Material :**  
body : light alloy  
transparent : tempered flat glass

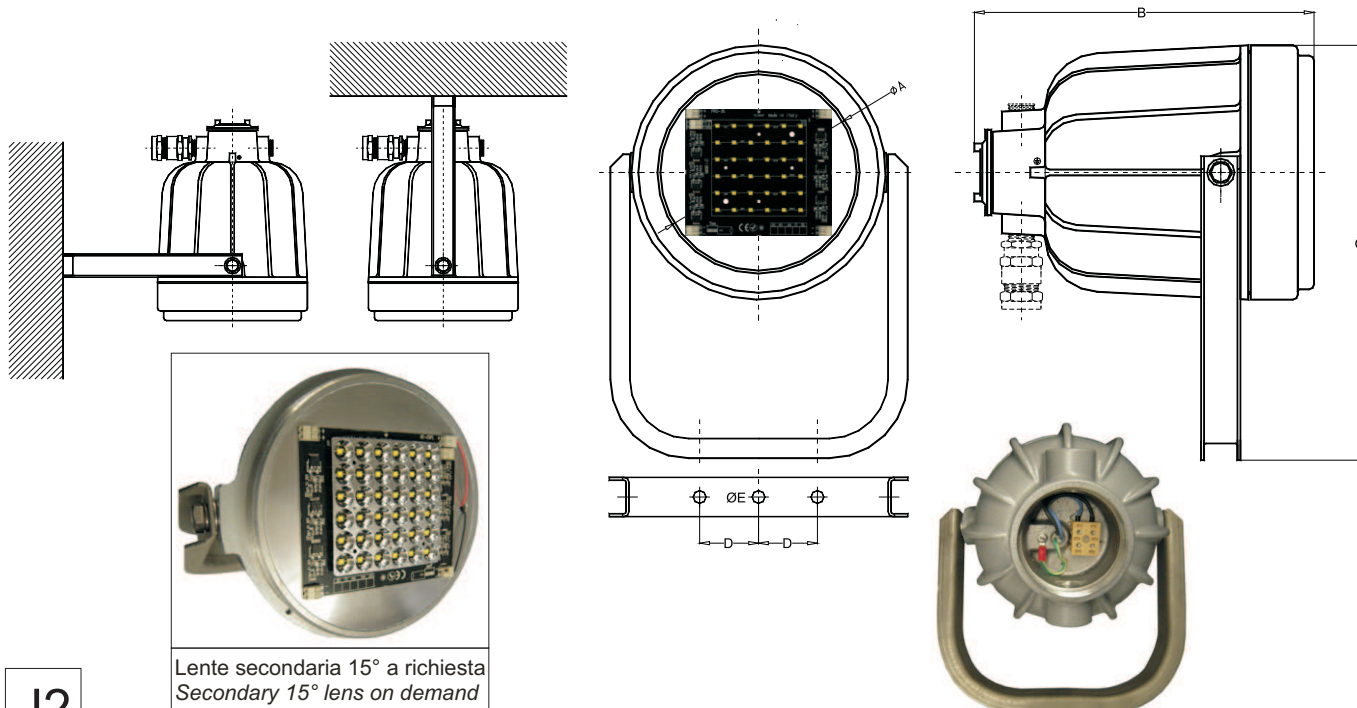
**Installation :** universal with stainless steel AISI 304 bracket  
**Hardware :** Stainless steel AISI 304  
**Gaskets :** +40°C EPDM , +60°C Silicon  
**Connection :** Ex e II Terminals  
**Cable entry :** N° 1 ø3/4"  
**Weight :** 7 + 16 kg

**Potenza :** Vedi tabella  
**Tensione :** 24Vdc - 110+230Vac  
**Frequenza :** 50Hz + 60Hz  
**Morsettiera :** 2,5mm<sup>2</sup>

**Power :** See table  
**Voltage :** 24Vdc - 110+230Vac  
**Frequency :** 50Hz + 60Hz  
**Terminals :** 2,5mm<sup>2</sup>



| Codice Code       | [W] [W] | ØA  | B   | C   | D  | ØE | N° led Led N° | Flusso [lm] Flux [lm] | colore [k] color [k] | Irragg. Radiance | Tensione [V] Voltage [V] | T class @+40°C | T class @+60°C | Peso[kg] Weight [kg] |
|-------------------|---------|-----|-----|-----|----|----|---------------|-----------------------|----------------------|------------------|--------------------------|----------------|----------------|----------------------|
| <b>EWL 12524</b>  | 70      | 140 | 265 | 300 | 35 | 11 | 36            | 6000                  | 5000                 | 120°             | 24Vdc                    | T5             | T4             | 7,0                  |
| <b>EWL 40024</b>  | 120     | 200 | 345 | 425 | 60 | 13 | 60            | 12.000                | 5000                 | 120°             | 24Vdc                    | T5             | T4             | 14,0                 |
| <b>EWL 125240</b> | 70      | 140 | 265 | 300 | 35 | 11 | 36            | 6000                  | 5000                 | 120°             | 110+240Vac               | T5             | T4             | 7,3                  |
| <b>EWL 400240</b> | 120     | 200 | 345 | 425 | 60 | 13 | 60            | 12.000                | 5000                 | 120°             | 110+240Vac               | T5             | T4             | 16,0                 |



Lente secondaria 15° a richiesta  
Secondary 15° lens on demand

**J2**



|             |                                       |           |             |  |                            |  |
|-------------|---------------------------------------|-----------|-------------|--|----------------------------|--|
| <b>GAS</b>  | <b>II2G Ex de IIC T5 ÷ T4</b>         | <b>Gb</b> | <b>IP66</b> | <b>Zone 1 - Zone 21 - Zone 2 - Zone 22</b> |                            |  |
| <b>DUST</b> | <b>II2D Ex tb IIIC T95°C ÷ T130°C</b> | <b>Db</b> | <b>IP66</b> | <b>❄️ -20°C ÷ ☀️ +40°C</b>                 | <b>❄️ -20°C ÷ ☀️ +60°C</b> |  |

**Future Proof**

**Materiale :** corpo : lega leggera  
trasparente : vetro piano temperato

**Installazione :** universale con staffa in acciaio inox AISI 304

**Viteria :** Acciaio inox AISI 304

**Guarnizioni :** +40°C EPDM , +60°C Silicone

**Collegamento :** Morsettiera Ex e IIC

**Ingresso :** N° 2 ø3/4"

**Peso :** 7 + 10 kg

**Material :** body : light alloy  
transparent : tempered flat glass

**Installation :** universal with stainless steel AISI 304 bracket

**Hardware :** Stainless steel AISI 304

**Gaskets :** +40°C EPDM , +60°C Silicon

**Connection :** Ex e IIC Terminal box

**Cable entry :** N° 2 ø3/4"

**Weight :** 7 + 10 kg



**Potenza :** Vedi tabella

**Tensione :** 230Vac - a richiesta 110Vac - 24Vdc - 24Vac

**Frequenza :** 50Hz + 60Hz

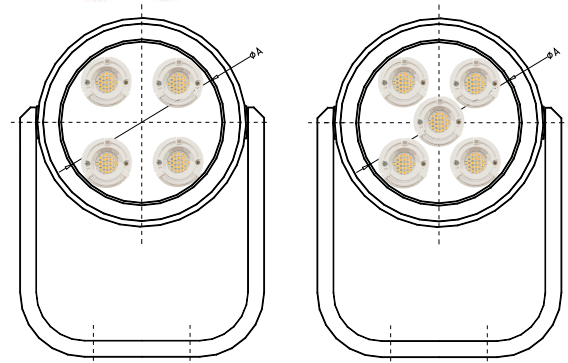
**Morsettiera :** 2,5mm<sup>2</sup>

**Power :** See table

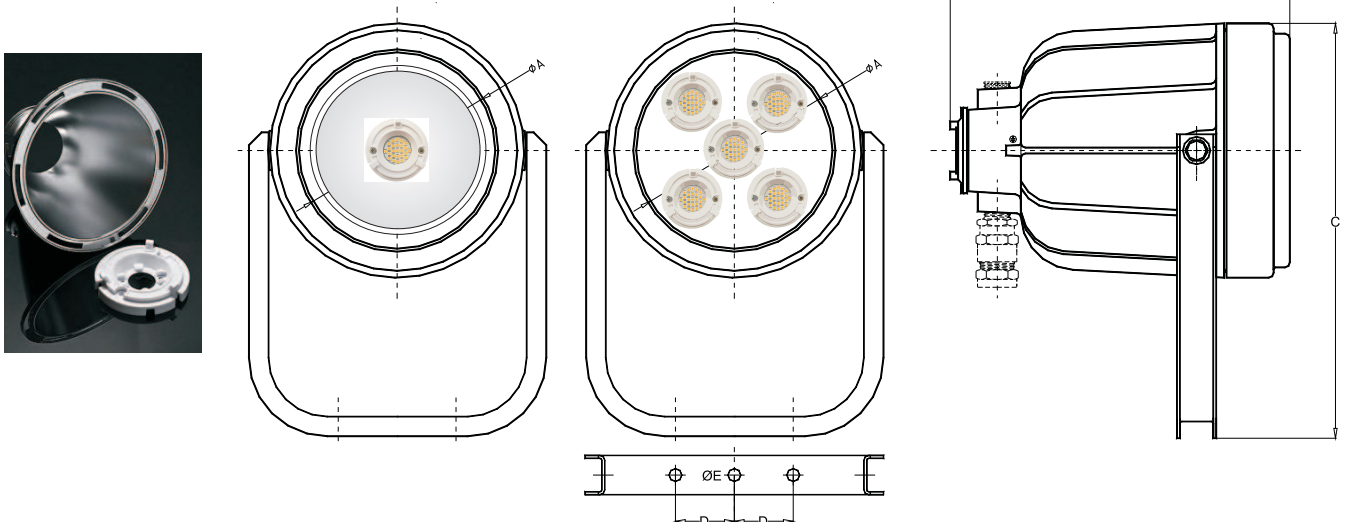
**Voltage :** 230Vac - on demand 110Vac - 24Vdc - 24Vac

**Frequency :** 50Hz + 60Hz

**Terminals :** 2,5mm<sup>2</sup>



| Codice Code          | [W] [W] | ØA  | B   | C   | D  | ØE | N° LED LED N° | Flusso [lm] Flux [lm] | colore [k] color [k] | Irragg. Radiance | Tensione [V] Voltage [V] | T class @+40°C | T class @+60°C | Peso[kg] Weight [kg] |
|----------------------|---------|-----|-----|-----|----|----|---------------|-----------------------|----------------------|------------------|--------------------------|----------------|----------------|----------------------|
| <b>EWL 12525240</b>  | 25      | 140 | 265 | 300 | 35 | 11 | 25            | 2750                  | 4000                 | 120°             | 230Vac                   | T5             | T4             | 8,0                  |
| <b>EWL 12525240R</b> | 25      | 140 | 265 | 300 | 35 | 11 | 25            | 2750                  | 4000                 | 15°              | 230Vac                   | T5             | T4             | 8,5                  |
| <b>EWL 12550240</b>  | 50      | 140 | 265 | 300 | 35 | 11 | 25x2          | 5500                  | 4000                 | 15°              | 230Vac                   | T5             | T4             | 8,5                  |
| <b>EWL 400100240</b> | 100     | 200 | 345 | 425 | 60 | 13 | 25x4          | 11.000                | 4000                 | 120°             | 230Vac                   | T5             | T4             | 16,0                 |
| <b>EWL 400125240</b> | 120     | 200 | 345 | 425 | 60 | 13 | 25x5          | 13.750                | 4000                 | 120°             | 230Vac                   | T5             | T4             | 16,0                 |





**GAS** II2G Ex de IIC T5 ÷ T4 **Gb**

**IP66**

Zone 1 - Zone 21 - Zone 2 - Zone 22

**DUST** II2D Ex tb IIIC T95°C ÷ T130°C **Db**

**IP66**

❄️ -20°C ÷ ☀️ +40°C

❄️ -20°C ÷ ☀️ +60°C

**Future Proof**

**Materiale:**  
corpo : lega leggera  
trasparente : vetro piano temperato

**Installazione:** universale con staffa in acciaio inox AISI 304  
**Viteria:** Acciaio inox AISI 304  
**Guarnizioni:** +40°C EPDM , +60°C Silicone  
**Collegamento:** Morsettiera Ex e  
**Ingresso:** N° 2 ø3/4"  
**Peso:** 7 + 16 kg

**Material:**  
body : light alloy  
transparent : tempered flat glass

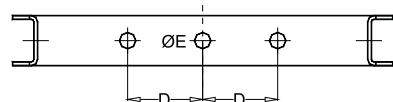
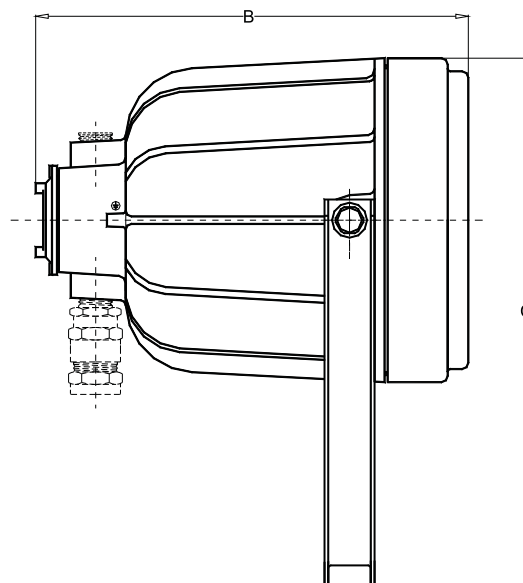
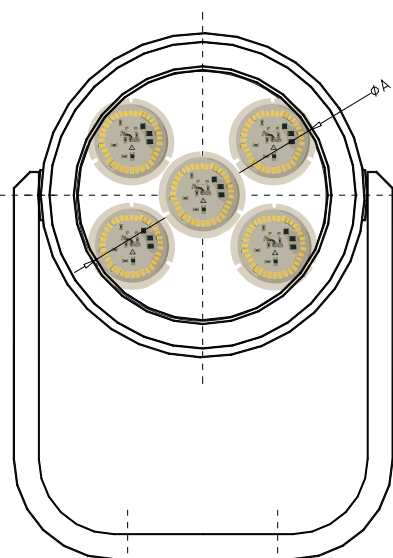
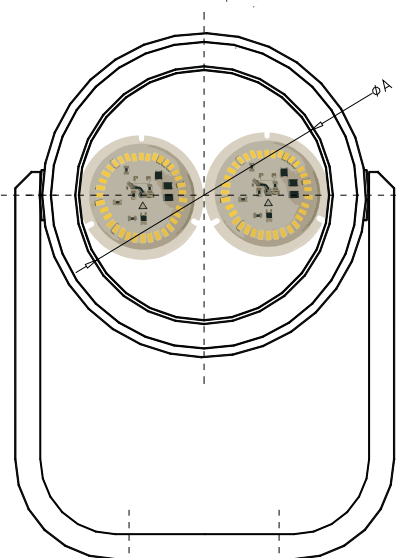
**Installation:** universal with stainless steel AISI 304 bracket  
**Hardware:** Stainless steel AISI 304  
**Gaskets:** +40°C EPDM , +60°C Silicon  
**Connection:** Ex e II Terminals  
**Cable entry:** N° 1 ø3/4"  
**Weight:** 7 + 16 kg

**Potenza:** Vedi tabella  
**Tensione:** 230Vac - 110Vac/dc  
**Frequenza:** 50Hz + 60Hz  
**Morsettiera:** 2,5mm<sup>2</sup>

**Power:** See table  
**Voltage:** 230Vac - 110Vac/dc  
**Frequency:** 50Hz + 60Hz  
**Terminals:** 2,5mm<sup>2</sup>



| Codice Code  | [W] [W] | ØA  | B   | C   | D  | ØE | N° LED LED N° | Flusso [lm] Flux [lm] | colore [k] color [k] | Irragg. Radiance | Tensione [V] Voltage [V] | T class @+40°C | T class @+60°C | Peso[kg] Weight [kg] |
|--------------|---------|-----|-----|-----|----|----|---------------|-----------------------|----------------------|------------------|--------------------------|----------------|----------------|----------------------|
| EWL 12532240 | 32      | 140 | 265 | 300 | 35 | 11 | 36x2          | 3000                  | 4000                 | 120°             | 230Vac                   | T5             | T4             | 8,0                  |
| EWL 12532110 | 32      | 140 | 265 | 300 | 35 | 11 | 36x2          | 3000                  | 4000                 | 120°             | 110Vac/dc                | T5             | T4             | 8,5                  |
| EWL 40080240 | 80      | 200 | 345 | 425 | 60 | 13 | 25x4          | 7500                  | 4000                 | 120°             | 230Vac                   | T5             | T4             | 16,0                 |
| EWL 40080110 | 80      | 200 | 345 | 425 | 60 | 13 | 25x5          | 7500                  | 4000                 | 120°             | 110Vac/dc                | T5             | T4             | 16,0                 |



**J4**