



CO.SIME.

EQUIPMENT FOR ATEX





GAS	II2G Ex d IIB+H₂ T6 ÷ T4
DUST	II2D Ex tD A21 T80°C ÷ T130°C

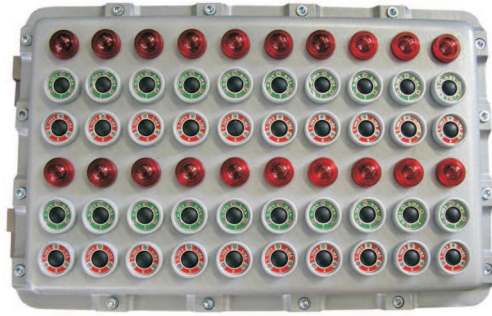
* IP65/IP66
* IP65/IP66

Zone 1 - Zone 21 - Zone 2 - Zone 22
❄️ -20°C ÷ ☀️ +40°C ❄️ -20°C + ☀️ +60°C

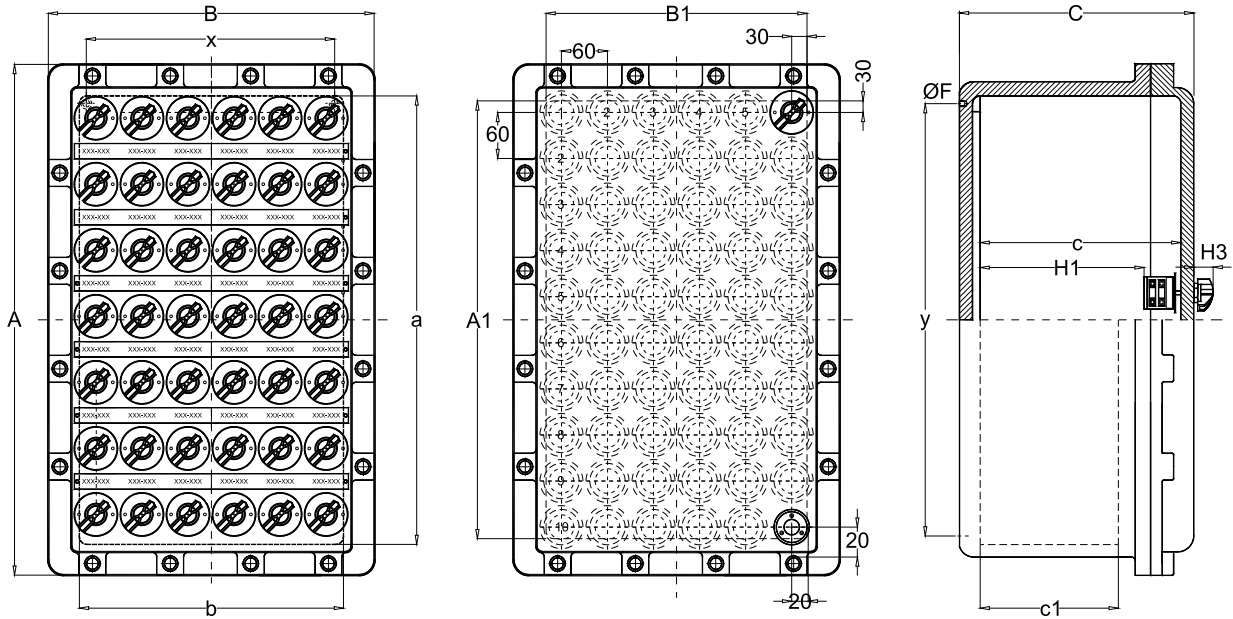
Materiale : Corpo e coperchio di lega leggera con staffe in acciaio zincato a richiesta
Installazione : Acciaio zincato a richiesta inox
Viteria : a richiesta al silicone per IP 66
Guarnizioni : Per montaggio elementi a coperchio
Suffisso A :

Material : Light alloy cover and body
Installation : Galvanized steel lugs on demand
Hardware : galvanized steel or stainless steel
Gaskets : on demand silicon for IP 66
A suffix : for installation of components on cover

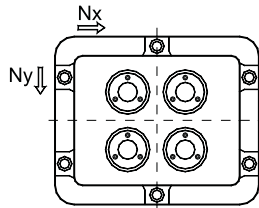
* IP65 con grasso al silicone - IP66 con guarnizione
 IP65 with silicon grease - IP66 with silicon gasket



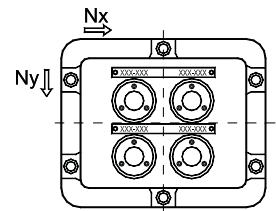
Code Code	A	B	C	a	b	c	c1	A1	B1	H1	H2	x	y	ØF	Peso Weight [kg]
EJB 544A	175	150	120	103	104	91	-	120	90	21	91	94	120	M5	2,400
EJB 544TA	175	150	120	103	104	91	50	120	90	21	91	94	120	M5	2,770
EJB 755A	212	175	140	164	125	116	-	155	115	46	78	100	140	M6	4,200
EJB 755TA	212	175	140	164	125	116	70	155	115	46	78	100	140	M6	4,700
EJB 1076A	305	206	157	252	154	127	86	215	125	57	89	132	224	M6	8,500
EJB 1286A	370	265	200	306	203	158	92	280	180	88	120	163	280	M8	14,500
EJB 14107A	450	307	206	375	232	169	110	345	210	99	131	198	339	M8	19,500
EJB 17129BA	545	373	206	456	288	156	180	450	285	86	118	285	450	M10	37,000
EJB 17129A	545	373	295	456	288	245	88	450	285	175	207	282	450	M10	30,500
EJB 221410A	665	425	305	583	344	250	180	570	340	180	212	315	550	M10	48,000



Codice Code	senza targhe without labels	
	Nx	Ny
EJB 544..A	2	1
EJB 755..A	2	2
EJB 1076A	4	2
EJB 1286A	5	3
EJB 14107A	6	4
EJB 17129..A	8	5
EJB 221410A	10	6



Codice Code	con targhe with labels	
	Nx	Ny
EJB 544..A	2	1
EJB 755..A	2	2
EJB 1076A	4	2
EJB 1286A	4	3
EJB 14107A	6	4
EJB 17129..A	7	5
EJB 221410A	9	6



Descrizione/Description	Codice/ Code
Targa Label 	TGY Inox/S.S. TGF Traffolite
Selettore Selector switch 	EFD ..I/C
Selettore con guardia Selector switch with guard 	EFD ..I/CL
Selettore a chiave Selector key 	EFD ..I/CY
Pulsante Push button 	EFD 0 (1NO) EFD 1 (1NC)
Pulsante con doppio contatto Push button with double contact 	EFD 0S (1NC+1NO) EFD 1S (1NC+1NO)
Pulsante di test e reset Test and reset push button 	R 28
Pulsante emergenza sbocco a rotazione Emergency push button rotate to unlock 	EFD 0FB/C (1NC)
Pulsante emergenza a chiave Emergency push button with key 	EFD 0F/BYC (1NC)
Segnalatore incandescenza Incandescent signal lamp 	EFD A3L/C blu/blue EFD B3L/C bianco/white EFD G3L/C giallo/yellow EFD R3L/C rosso/red EFD V3L/C verde/green
Segnalatore luminoso a led Led Signal 	EFD ..L/C

EFD 5 		<table border="1"><tr><td>11-12</td><td>1</td><td>2</td></tr><tr><td>12-14</td><td>0</td><td>0</td></tr></table>	11-12	1	2	12-14	0	0																		
11-12	1	2																								
12-14	0	0																								
EFD 52 		<table border="1"><tr><td>11-12</td><td>1</td><td>2</td></tr><tr><td>12-14</td><td>0</td><td>0</td></tr><tr><td>21-22</td><td>0</td><td>0</td></tr><tr><td>22-24</td><td>0</td><td>0</td></tr></table>	11-12	1	2	12-14	0	0	21-22	0	0	22-24	0	0												
11-12	1	2																								
12-14	0	0																								
21-22	0	0																								
22-24	0	0																								
EFD 53 		<table border="1"><tr><td>11-12</td><td>1</td><td>2</td></tr><tr><td>12-14</td><td>0</td><td>0</td></tr><tr><td>21-22</td><td>0</td><td>0</td></tr><tr><td>22-24</td><td>0</td><td>0</td></tr><tr><td>31-32</td><td>0</td><td>0</td></tr><tr><td>32-34</td><td>0</td><td>0</td></tr></table>	11-12	1	2	12-14	0	0	21-22	0	0	22-24	0	0	31-32	0	0	32-34	0	0						
11-12	1	2																								
12-14	0	0																								
21-22	0	0																								
22-24	0	0																								
31-32	0	0																								
32-34	0	0																								
EFD 50 		<table border="1"><tr><td>11-12</td><td>1</td><td>0</td><td>2</td></tr><tr><td>12-14</td><td>0</td><td>0</td><td>0</td></tr></table>	11-12	1	0	2	12-14	0	0	0																
11-12	1	0	2																							
12-14	0	0	0																							
EFD 50+ 		<table border="1"><tr><td>11-12</td><td>1</td><td>0</td><td>2</td></tr><tr><td>12-14</td><td>0</td><td>0</td><td>0</td></tr></table>	11-12	1	0	2	12-14	0	0	0																
11-12	1	0	2																							
12-14	0	0	0																							
EFD 502 		<table border="1"><tr><td>11-12</td><td>1</td><td>0</td><td>2</td></tr><tr><td>12-14</td><td>0</td><td>0</td><td>0</td></tr><tr><td>21-22</td><td>0</td><td>0</td><td>0</td></tr><tr><td>22-24</td><td>0</td><td>0</td><td>0</td></tr></table>	11-12	1	0	2	12-14	0	0	0	21-22	0	0	0	22-24	0	0	0								
11-12	1	0	2																							
12-14	0	0	0																							
21-22	0	0	0																							
22-24	0	0	0																							
EFD 502+ 		<table border="1"><tr><td>11-12</td><td>1</td><td>0</td><td>2</td></tr><tr><td>12-14</td><td>0</td><td>0</td><td>0</td></tr><tr><td>21-22</td><td>0</td><td>0</td><td>0</td></tr><tr><td>22-24</td><td>0</td><td>0</td><td>0</td></tr></table>	11-12	1	0	2	12-14	0	0	0	21-22	0	0	0	22-24	0	0	0								
11-12	1	0	2																							
12-14	0	0	0																							
21-22	0	0	0																							
22-24	0	0	0																							
EFD 503 		<table border="1"><tr><td>11-12</td><td>1</td><td>0</td><td>2</td></tr><tr><td>12-14</td><td>0</td><td>0</td><td>0</td></tr><tr><td>21-22</td><td>0</td><td>0</td><td>0</td></tr><tr><td>22-24</td><td>0</td><td>0</td><td>0</td></tr><tr><td>31-32</td><td>0</td><td>0</td><td>0</td></tr><tr><td>32-34</td><td>0</td><td>0</td><td>0</td></tr></table>	11-12	1	0	2	12-14	0	0	0	21-22	0	0	0	22-24	0	0	0	31-32	0	0	0	32-34	0	0	0
11-12	1	0	2																							
12-14	0	0	0																							
21-22	0	0	0																							
22-24	0	0	0																							
31-32	0	0	0																							
32-34	0	0	0																							
EFD 6 		<table border="1"><tr><td>13-14</td><td>0</td><td>I</td></tr><tr><td>23-24</td><td>0</td><td>0</td></tr></table>	13-14	0	I	23-24	0	0																		
13-14	0	I																								
23-24	0	0																								
EFD 63 		<table border="1"><tr><td>13-14</td><td>0</td><td>I</td></tr><tr><td>23-24</td><td>0</td><td>0</td></tr><tr><td>33-34</td><td>0</td><td>0</td></tr></table>	13-14	0	I	23-24	0	0	33-34	0	0															
13-14	0	I																								
23-24	0	0																								
33-34	0	0																								
EFD 64 		<table border="1"><tr><td>13-14</td><td>0</td><td>I</td></tr><tr><td>23-24</td><td>0</td><td>0</td></tr><tr><td>33-34</td><td>0</td><td>0</td></tr><tr><td>43-44</td><td>0</td><td>0</td></tr></table>	13-14	0	I	23-24	0	0	33-34	0	0	43-44	0	0												
13-14	0	I																								
23-24	0	0																								
33-34	0	0																								
43-44	0	0																								
EFD 7 		<table border="1"><tr><td>13-14</td><td>0</td><td>I</td></tr><tr><td>21-22</td><td>0</td><td>0</td></tr></table>	13-14	0	I	21-22	0	0																		
13-14	0	I																								
21-22	0	0																								
EFD 8 		<table border="1"><tr><td>13-14</td><td>0</td><td>I</td></tr><tr><td>21-22</td><td>0</td><td>0</td></tr></table>	13-14	0	I	21-22	0	0																		
13-14	0	I																								
21-22	0	0																								
EFD Y 		<table border="1"><tr><td>13-14</td><td>1</td><td>0</td><td>0</td><td>2</td></tr><tr><td>23-24</td><td>0</td><td>0</td><td>0</td><td>0</td></tr><tr><td>33-34</td><td>0</td><td>0</td><td>0</td><td>0</td></tr><tr><td>43-44</td><td>0</td><td>0</td><td>0</td><td>0</td></tr></table>	13-14	1	0	0	2	23-24	0	0	0	0	33-34	0	0	0	0	43-44	0	0	0	0				
13-14	1	0	0	2																						
23-24	0	0	0	0																						
33-34	0	0	0	0																						
43-44	0	0	0	0																						



GAS	II2G Ex d IIB+H2 T6 ÷ T4	*IP65/IP66	Zone 1 - Zone 21 - Zone 2 - Zone 22
DUST	II2D Ex tD A21 T80°C ÷ T130°C	*IP65/IP66	❄️-20°C ÷ ☀️+40°C ❄️-20°C ÷ ☀️+60°C

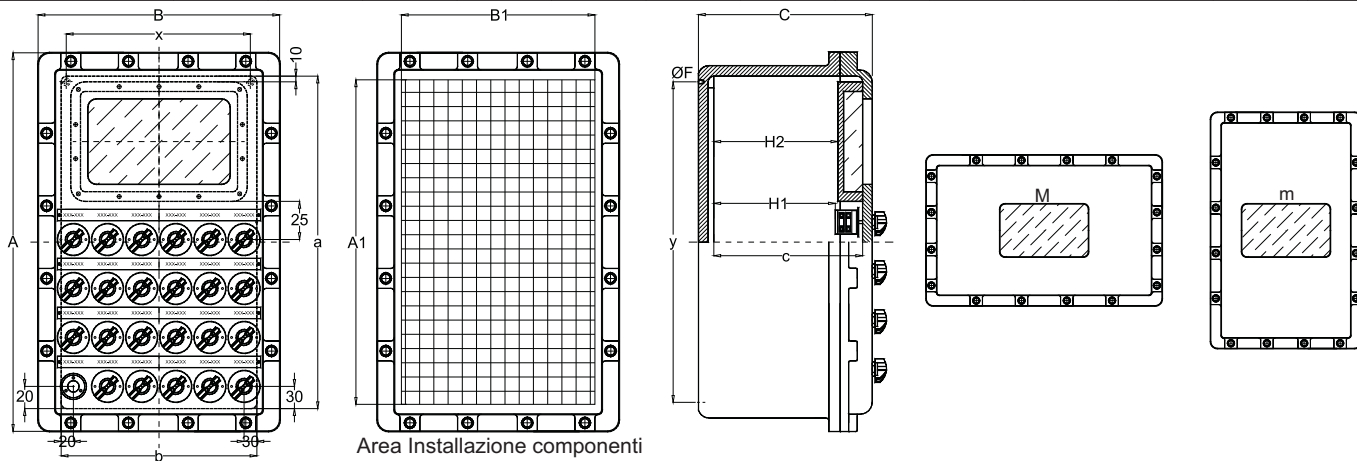
Materiale : Corpo e coperchio di lega leggera
Parte trasparente : Vetro temperato
Installazione : con staffe in acciaio zincato a richiesta
Viteria : Acciaio zincato a richiesta inox
Guarnizioni : a richiesta al silicone per IP 66
Ingresso : vedi tabella

Material : Light alloy cover and body
Transparent part : Tempered glass
Installation : Galvanized steel lugs on demand
Hardware : galvanized steel or stainless steel on demand
Gaskets : on demand silicon for IP 66
Cable entry : see table

* IP65 con grasso al silicone - IP66 con guarnizione
 IP65 with silicon grease - IP66 with silicon gasket

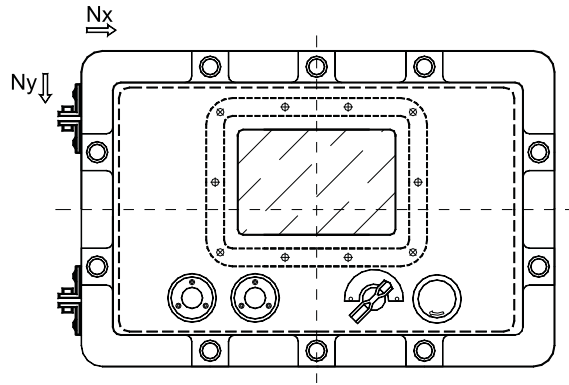


Codice/Code	A	B	C	a	b	c	A1	B1	H1	H2	x	y	ØF
EJB 544A	175	150	120	103	104	91	120	90	21	91	94	120	M5
EJB 755A	212	175	140	164	125	116	155	115	46	78	100	140	M6
EJB 1076A	305	206	157	252	154	127	215	125	57	89	132	224	M6
EJB 1286A	370	265	200	306	203	158	280	180	88	120	163	280	M8
EJB 14107A	450	307	206	375	232	169	345	210	99	131	198	339	M8
EJB 17129BA	545	373	206	456	288	156	450	285	86	118	285	450	M10
EJB 17129A	545	373	295	456	288	245	450	285	175	207	282	450	M10
EJB 221410A	665	425	305	583	344	250	570	340	180	212	315	550	M10

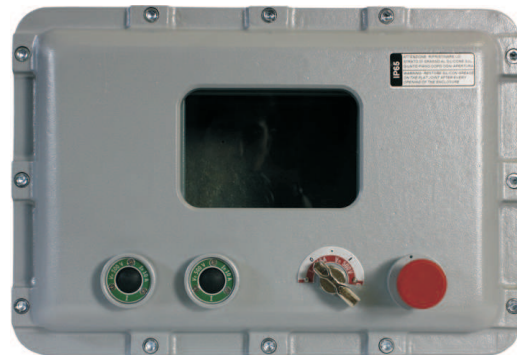


Area Installazione componenti
 Components installation area

Codice/Code	F55	F105	F155	F205	F255	F1010	F1510	F1515	F2010	F2510	F2015	F2515	F90
Finestra/Window	50x50	100x50	150x50	200x50	250x50	100x100	150x100	150x150	200x100	250x100	200x150	250x150	ø90
EJB 544A	M —	—	—	—	—	—	—	—	—	—	—	—	•
EJB 755A	M •	—	—	—	—	—	—	—	—	—	—	—	•
EJB 1076A	M •	•	•	—	—	—	—	—	—	—	—	—	•
EJB 1286A	M •	•	•	•	—	•	•	—	•	—	—	—	•
EJB 14107A	M •	•	•	•	•	•	•	•	•	•	•	•	•
EJB 17129BA	M •	•	•	•	—	•	•	•	•	—	•	—	•
EJB 17129A	M •	•	•	•	—	•	•	•	•	—	•	—	•
EJB 221410A	M •	•	•	•	•	•	•	•	•	•	•	•	•



Codice/Code			F55	F105	F155	F205	F255	F1010	F1510	F1515	F2010	F2510	F2015	F2515	F90
Finestra/Window			50x50	100x50	150x50	200x50	250x50	100x100	150x100	150x150	200x100	250x100	200x150	250x150	ø90
EJB 544..A	M	Nx Ny	- 0 - 0	- 0 - 0	- 0 - 0	- 0 - 0	- 0 - 0	- 0 - 0	- 0 - 0	- 0 - 0	- 0 - 0	- 0 - 0	- 0 - 0	- 0 - 0	0 0
	m	Nx Ny	- 0 - 0	- 0 - 0	- 0 - 0	- 0 - 0	- 0 - 0	- 0 - 0	- 0 - 0	- 0 - 0	- 0 - 0	- 0 - 0	- 0 - 0	- 0 - 0	0 0
EJB 755..A	M	Nx Ny	• 0 • 0	- 0 - 0	- 0 - 0	- 0 - 0	- 0 - 0	- 0 - 0	- 0 - 0	- 0 - 0	- 0 - 0	- 0 - 0	- 0 - 0	- 0 - 0	0 0
	m	Nx Ny	• 0 • 0	- 0 - 0	- 0 - 0	- 0 - 0	- 0 - 0	- 0 - 0	- 0 - 0	- 0 - 0	- 0 - 0	- 0 - 0	- 0 - 0	- 0 - 0	0 0
EJB 1076A	M	Nx Ny	• 0 • 0	• 0 • 0	• 0 • 0	- 0 - 0	- 0 - 0	- 0 - 0	- 0 - 0	- 0 - 0	- 0 - 0	- 0 - 0	- 0 - 0	- 0 - 0	0 0
	m	Nx Ny	• 2 • 2	- 0 - 0	- 0 - 0	- 0 - 0	- 0 - 0	- 0 - 0	- 0 - 0	- 0 - 0	- 0 - 0	- 0 - 0	- 0 - 0	- 0 - 0	2 2
EJB 1286A	M	Nx Ny	• 5 • 1	• 5 • 1	• 5 • 1	• 5 • 1	- 0 - 0	• 0 • 0	• 0 • 0	- 0 - 0	• 0 • 0	- 6 - 1	- 0 - 0	- 0 - 0	5 1
	m	Nx Ny	• 3 • 3	• 3 • 3	- 0 - 0	- 0 - 0	- 0 - 0	• 3 • 2	- 0 - 0	- 0 - 0	- 0 - 0	- 0 - 0	- 0 - 0	- 0 - 0	3 3
EJB 14107A	M	Nx Ny	• 6 • 1	• 6 • 1	• 6 • 1	• 6 • 1	• 6 • 1	• 6 • 1	• 6 • 1	• 0 • 0	• 6 • 1	• 6 • 1	• 0 • 0	• 0 • 0	6 2
	m	Nx Ny	• 4 • 3	• 4 • 3	• 4 • 3	- 0 - 0	- 0 - 0	• 4 • 3	• 4 • 3	• 4 • 2	- 0 - 0	- 0 - 0	- 0 - 0	- 0 - 0	4 4
EJB 17129..A	M	Nx Ny	• 8 • 3	• 8 • 3	• 8 • 3	• 8 • 3	• 8 • 3	• 8 • 2	• 8 • 2	• 8 • 1	• 8 • 2	• 8 • 2	• 8 • 1	• 8 • 1	8 3
	m	Nx Ny	• 5 • 5	• 5 • 5	• 5 • 5	• 5 • 5	- 0 - 0	• 5 • 5	• 5 • 5	• 0 • 0	• 5 • 5	- 5 - 4	• 5 • 4	- 5 - 4	5 5
EJB 221410A	M	Nx Ny	• 10 • 3	• 10 • 3	• 10 • 3	• 10 • 3	• 10 • 3	• 10 • 3	• 10 • 3	• 10 • 2	• 10 • 3	• 10 • 3	• 10 • 2	• 10 • 2	10 3
	m	Nx Ny	• 5 • 8	• 5 • 8	• 5 • 8	• 5 • 8	• 5 • 8	• 5 • 7	• 5 • 7	• 5 • 6	• 5 • 7	• 5 • 7	• 5 • 6	• 5 • 6	5 8



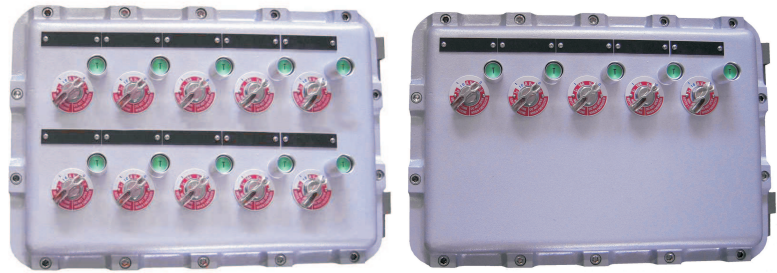


GAS	II2G Ex d IIB+H₂ T6 ÷ T5	* IP65/IP66	Zone 1 - Zone 21 - Zone 2 - Zone 22	
DUST	II2D Ex tD A21 T80°C ÷ T95°C	* IP65/IP66	❄ -20°C ÷ ☀ +40°C	❄ -20°C ÷ ☀ +60°C

Materiale : Corpo e coperchio di lega leggera
Installazione : con staffe in acciaio zincato a richiesta
Viteria : Acciaio zincato a richiesta inox
Guarnizioni : a richiesta al silicone per IP 66
Ingresso : vedi tabella

Material : Light alloy cover and body
Installation : Galvanized steel lugs on demand
Hardware : galvanized steel or stainless steel
Gaskets : on demand silicon for IP 66
Cable entry : see table

* IP65 con grasso al silicone - IP66 con guarnizione
 IP65 with silicon grease - IP66 with silicon gasket

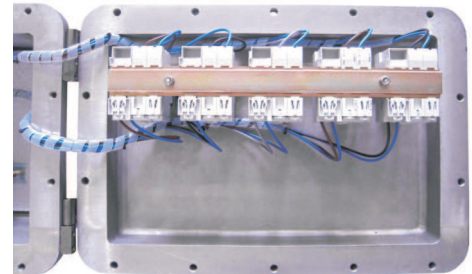
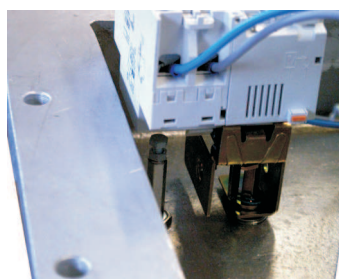
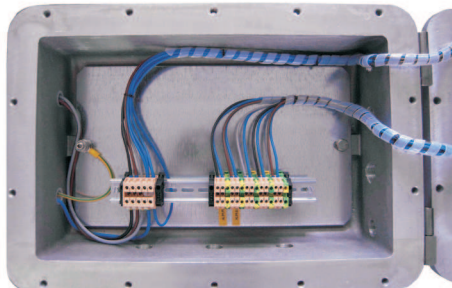


Codice Code	N° massimo di interruttori magnetotermici Maximum number of circuit breakers			N° massimo di interruttori magnetotermici con differenziale Max. number of circuit breakers with residual current device		
	2 POLI 2 POLES	3 POLI 3 POLES	4 POLI 4 POLES	2 POLI 2 POLES	3 POLI 3 POLES	4 POLI 4 POLES
EJB 755..A	1 (63A)	1 (63A)	1 (63A)	1 (63A)	—	—
EJB 1076A	1 (63A)	1 (63A)	1 (63A)	1 (63A)	1 (63A)	1 (63A)
EJB 1286A	3 (25A)	3 (25A)	3 (25A)	3 (25A)	2 (25A)	2 (25A)
EJB 14107A	8 (25A)	5 (25A)	5 (25A)	4 (25A)	4 (25A)	2 (25A)
EJB 17129..A	14 (25A)	12 (25A)	10 (25A)	10 (25A)	6 (25A)	6 (25A)
EJB 221410A	18 (25A)	16 (25A)	12 (25A)	12 (25A)	8 (25A)	8 (25A)

Morsettiera sul fondo
Terminals installed on the bottom

Manovra rotativa e pulsante test
Rotative mechanical drive and test button

Magnetotermici installati a retro coperchio
Circuit breakers installed on the rear of the cover



GAS	II2G Ex d IIB+H₂ T6 ÷ T5	* IP65/IP66	Zone 1 - Zone 21 - Zone 2 - Zone 22	
DUST	II2D Ex tD A21 T80°C ÷ T95°C	* IP65/IP66	❄ -20°C ÷ ☀ +40°C	❄ -20°C ÷ ☀ +60°C



Codice Code	Corrente Current [A]	Potenza Rated power kW @ 230V	Potenza Rated power kW @ 400V	Codice Code	Corrente Current [A]	Potenza Rated power kW @ 230V	Potenza Rated power kW @ 400V
EJB 544CM01	0,10 ÷ 0,16	-	-	EJB 544CM10	4,0 ÷ 6,3	1,10	2,20
EJB 544CM02	0,16 ÷ 0,25	-	0,06	EJB 544CM14	6,0 ÷ 10	2,20	3,00
EJB 544CM03	0,25 ÷ 0,4	0,06	0,09	EJB 544CM16	9,0 ÷ 14	3,00	5,50
EJB 544CM04	0,40 ÷ 0,63	-	0,12	EJB 544CM20	13 ÷ 18	4,00	7,50
EJB 544CM05	0,63 ÷ 1,0	-	0,25	EJB 544CM21	17 ÷ 23	5,50	9,00
EJB 544CM06	1,0 ÷ 1,6	0,25	0,37	EJB 544CM22	20 ÷ 25	6,00	11,0
EJB 544CM07	1,6 ÷ 2,5	0,37	0,75	EJB 544CM32	24 ÷ 32	7,50	15,0
EJB 544CM08	2,5 ÷ 4,0	0,75	1,10				



GAS	II2G Ex d IIB / Ex d IIB+H2 T6	*IP65/IP66	Zone 1 - Zone 21 - Zone 2 - Zone 22
DUST	II2D Ex tD A21 T80°C	*IP65/IP66	❄️-20°C ÷ ☀️+40°C ❄️-20°C ÷ ☀️+60°C

Materiale : Corpo e coperchio di lega leggera
Installazione : con staffe in acciaio zincato a richiesta
Viteria : Acciaio zincato a richiesta inox a richiesta al silicone per IP 66
Guarnizioni : a richiesta al silicone per IP 66
Ingresso : vedi tabella

Material : Light alloy cover and body
Installation : Galvanized steel lugs on demand
Hardware : galvanized steel or stainless steel on demand silicon for IP 66
Gaskets : on demand silicon for IP 66
Cable entry : see table

* IP65 con grasso al silicone - IP66 con guarnizione
 IP65 with silicon grease - IP66 with silicon gasket

Tensione alimentazione : 230 V - 50/60Hz
Corrente nominale : 28 mA
Circuito ausiliario (1NO+1NC) : 5 A @ 250 V
Fattore di potenza : 0,8
Peso : 14 kg

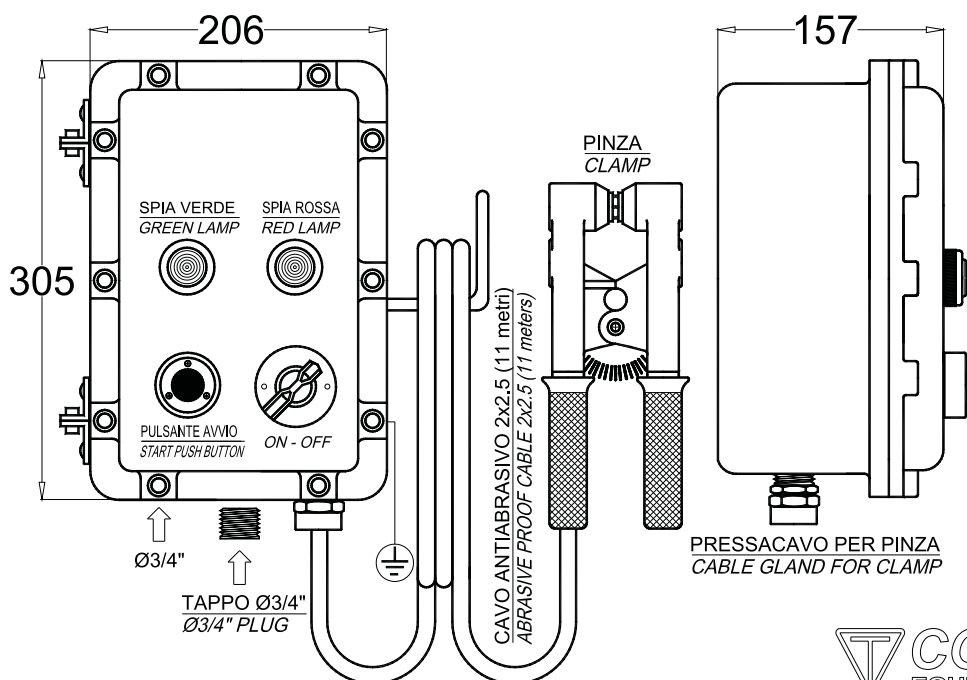
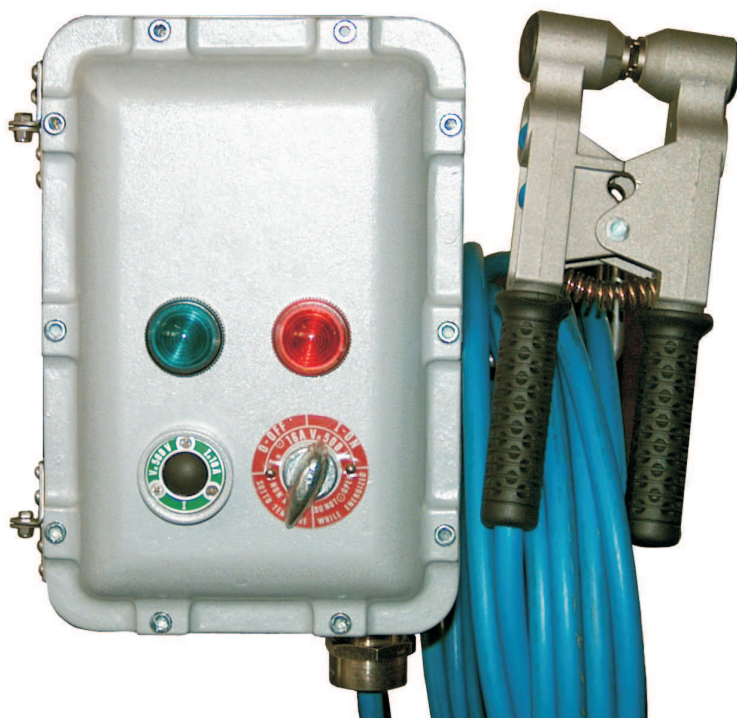
Auxiliary circuit (1NO+1NC) : 5 A @ 250 V
Input voltage : 230 V - 50/60Hz
Rated current : 28 mA
Power factor : 0,8
Weight : 14 kg

Caratteristiche :

Il dispositivo, mediante il collegamento della pinza a parti conduttrici dell'autobotte, consente di disperdere verso terra le cariche elettrostatiche generate durante le operazioni di carico e scarico. L'unità elettronica verifica le condizioni di resistenza e, se idonee, abilita la messa a terra e la commutazione del contatto di scambio che pilota la pompa dell'autobotte, segnalata dalla accensione della spia verde.

Features :

The apparatus, by means of the clamp connected to conductive parts of tank truck, disperses to the ground the electrostatic charges generated during load and unload operations. The electronic unit of the apparatus verify the ground resistance, and if it's acceptable, allow round connection and it switches the SPDT contacts which enable/disable the pump of tanker and it is signaled by green light.



F10

