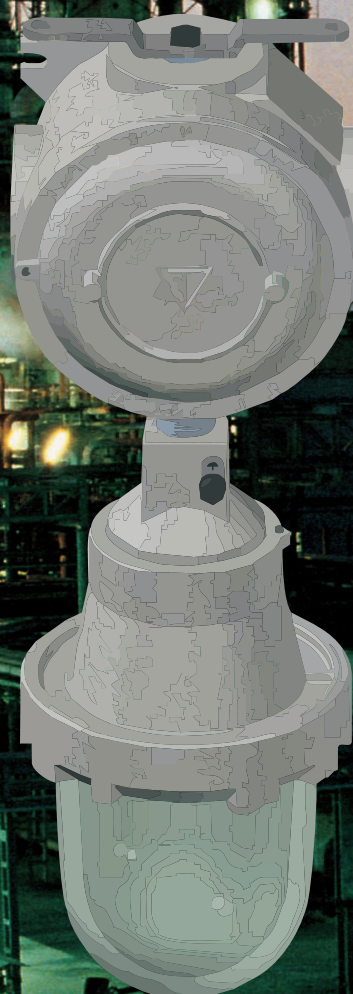
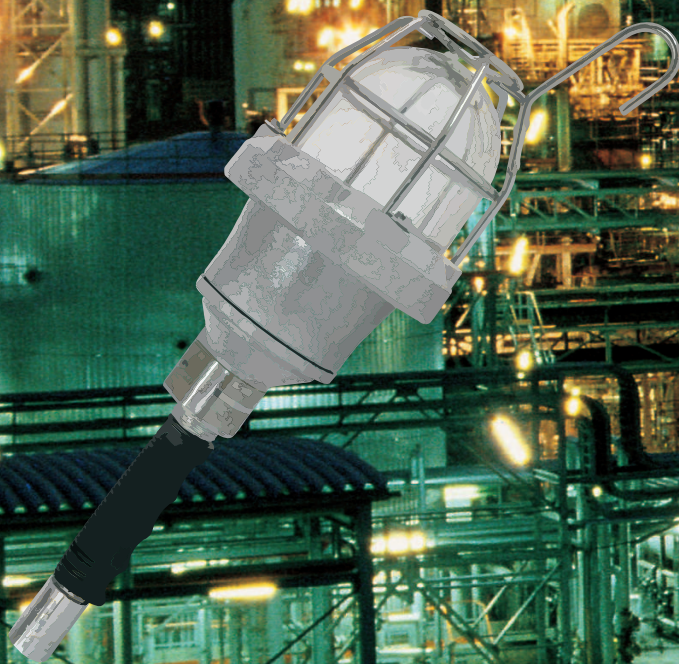
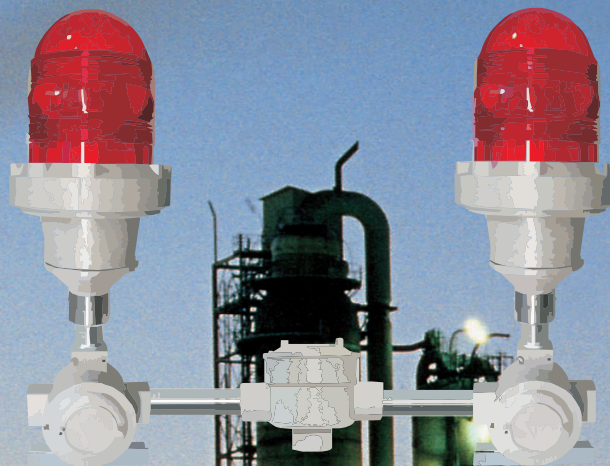


CO.SI.ME.

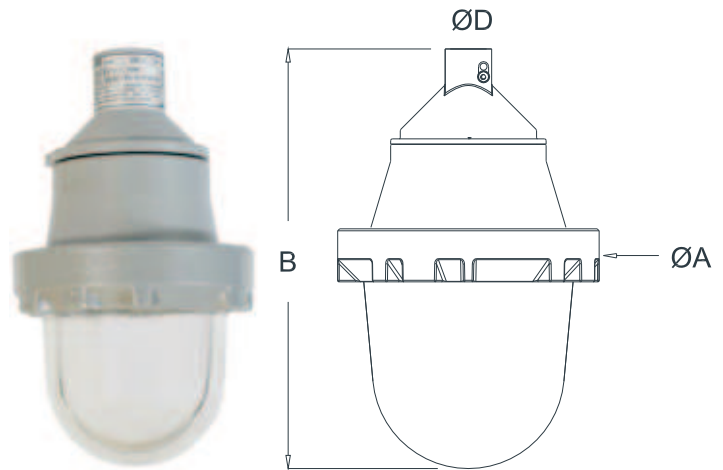
EQUIPMENT FOR ATEX





GAS	II2G Ex d IIC T2 ÷ T5	Gb	IP66	Zone 1 - Zone 21 - Zone 2 - Zone 22
DUST	II2D Ex tb IIIC T95°C ÷ T295°C	Db	IP66	❄️-20°C ÷ ☀️+40°C ❄️-20°C ÷ ☀️+80°C

Materiale :	corpo : lega leggera trasparente : vetro borosilicato portalampane : ceramico
Installazione :	varie (vedi dettagli)
Viteria :	Acciaio inox AISI 304
Guarnizioni :	+40°C EPDM , +60°C Silicone
Collegamento :	Morsettiera portalampane
Ingresso :	N° 1 ø3/4" (EVA 80+250) - ø1" (EVA 400)
Peso :	1,5 ÷ 6,5 kg
Material :	body : light alloy transparent : borosilicate glass lamp holder : ceramic
Installation :	various (see details)
Hardware :	Stainless steel AISI 304
Gaskets :	+40°C EPDM , +60°C Silicon
Connection :	on lamp holder
Cable entry :	N° 1 ø3/4" (EVA 80+250) - ø1" (EVA 400)
Weight :	1,5 ÷ 6,5 kg



Potenza :	Vedi tabella
Tensione :	230V a richiesta altre tensioni
Frequenza :	50Hz ± 60Hz
Morsettiera :	2,5mm ²
Power :	See table
Voltage :	230V other voltages on request
Frequency :	50Hz ± 60Hz
Terminals :	2,5mm ²

Codice / Code	ØA	B	ØC	ØD	max [W]	[kg]
EVA 50	128	223	218	3/4"	100	1,5
EVA 80	146	264	280	3/4"	150	2,2
EVA 125	174	294	300	3/4"	200	4,5
EVA 250	196	375	336	3/4"	300	5,0
EVA 400	259	416	450	1"	500	6,5

Codice Code	Potenza Power	Attacco Cap	Temp class @+40°C	Temp class @+60°C	Temp class @+80°C	Peso Weight
Incandescenza - alogene - led - fluorescenti / Incandescent - halogen - led - fluorescent						
EV.. 50	75 W - 100 W	E27	T5-T4	T4-T4	T4-T3	
EV.. 80	150 W	E27	T4	T4	T3	
EV.. 125	200 W	E27	T4	T3	T3	
EV.. 250	300 W	E40	T3	T3	T3	
EV.. 400	500 W	E40	T3	T3	T2	
Vapori di mercurio / Mercury vapour						
EW.. 80RHg	80 W	E27	T4	T4	-	
EW.. 125RHg	125 W	E27	T4	T4	-	
EW.. 250RHg	250 W	E40	T3	T3	-	
EW.. 400RHg	400 W	E40	T3	T3	-	
Ioduri metallici / Metal halide						
EW.. 100RMH	100 W	E27	T3	T4	-	
EW.. 150RMH	150 W	E27	T3	T3	-	
EW.. 250RMH	250 W (2,15A)	E40	T3	T3	-	
EW.. 400RMH	400 W (3,25A)	E40	T3	T3	-	
Sodio alta pressione / high pressure sodium						
EW.. 70RNa	70 W	E27	T3	T4	-	
EW.. 150RNa	150 W	E27	T3	T3	-	
EW.. 250RNa	250 W	E40	T3	T3	-	
EW.. 400RNa	400 W	E40	T3	T3	-	

	GAS	II2G Ex d IIC T4 ÷ T5	Gb	IP66	Zone 1 - Zone 21 - Zone 2 - Zone 22		
	DUST	II2D Ex tb IIIC T95°C ÷ T130°C	Db	IP66	❄️-20°C ÷ ☀️+40°C	❄️-20°C ÷ ☀️+80°C	



Codice Code	[Vac]	Codice Code	[Vac/dc]	Colore Color	Funzione Function	EVA EVA	Lamp led Led tower	[W]	[kg]
EV ..TL0..FA110230 EV ..TL0..FB110230 EV ..TL0..FG110230 EV ..TL0..FR110230 EV ..TL0..FV110230	110+230	EV ..TL0..FA24 EV ..TL0..FB24 EV ..TL0..FG24 EV ..TL0..FR24 EV ..TL0..FV24	24	blu- blue bianco - white giallo - yellow rosso - red verde - green	luce fissa steady light	EVA 50 EVA 80 EVA 80 EVA 80 EVA 125	60 led 80 led 100 led 120 led 180 led	5+6 6+7 7+8 8+9 12+15	
EV ..TL0..LA110230 EV ..TL0..LB110230 EV ..TL0..LG110230 EV ..TL0..LR110230 EV ..TL0..LV110230	110+230	EV ..TL0..LA24 EV ..TL0..LB24 EV ..TL0..LG24 EV ..TL0..LR24 EV ..TL0..LV24	24	blu- blue bianco - white giallo - yellow rosso - red verde - green	luce lamp. flashing light	EVA 50 EVA 80 EVA 80 EVA 80 EVA 125	60 led 80 led 100 led 120 led 180 led	5+6 6+7 7+8 8+9 12+15	
EV ..TL0..RA110230 EV ..TL0..RB110230 EV ..TL0..RG110230 EV ..TL0..RR110230 EV ..TL0..RV110230	110+230	EV ..TL0..RA24 EV ..TL0..RB24 EV ..TL0..RG24 EV ..TL0..RR24 EV ..TL0..RV24	24	blu- blue bianco - white giallo - yellow rosso - red verde - green	luce rotante rotating light	EVA 50 EVA 80 EVA 80 EVA 80 EVA 125	60 led 80 led 100 led 120 led 180 led	5+6 6+7 7+8 8+9 12+15	

esempio : EV 80TL100RG24 : lampada tower led a N° 100 led 24Vac/dc luce gialla rotante
sample : EV 80TL100RG24 : tower led lamp with N° 100 led 24Vac/dc rotating yellow light



Codice Code	[Vac]	Codice Code	[Vac/dc]	Xenon Xenon	Colore Color	Funzione Function	EVA EVA	[W]	[kg]
EV 50LAX110÷230 EV 50LBX110÷230 EV 50LGX110÷230 EV 50LRX110÷230 EV 50LVX110-230	110-230	EV 50LAX12-24 EV 50LBX12-24 EV 50LGX12-24 EV 50LRX12-24 EV 50LVX12-24	12-24-48	6 JOULE	blu- blue giallo - yellow rosso - red verde - green	luce lamp. flashing light 45 flash/min	EVA 50	4	
EV 125L16AX110÷230 EV 125L16BX110÷230 EV 125L16GX110÷230 EV 125L16RX110÷230 EV 125L16VX110÷230	110-230	EV 125L16AX12-24 EV 125L16BX12-24 EV 125L16GX12-24 EV 125L16RX12-24 EV 125L16VX12-24	12-24-48	16 JOULE	blu- blue giallo - yellow rosso - red verde - green	luce lamp. flashing light 30 flash/min	EVA 125	8	
EV 125L20AX110÷230 EV 125L20BX110÷230 EV 125L20GX110÷230 EV 125L20RX110÷230 EV 125L20VX110÷230	110-230	EV 125L20AX12-24 EV 125L20BX12-24 EV 125L20GX12-24 EV 125L20RX12-24 EV 125L20VX12-24	12-24-48	20 JOULE	blu- blue giallo - yellow rosso - red verde - green	luce lamp. flashing light 30 flash/min	EVA 125	10	

esempio : EV 50LRX230 : lampada flash 6 joule luce rossa 230Vac
sample : EV 50LRX230 : flash lamp 6 joule red light 230Vac



GAS	II2G Ex d IIC T4 ÷ T5	Gb	IP66	Zone 1 - Zone 21 - Zone 2 - Zone 22
DUST	II2D Ex tb IIIC T95°C ÷ T130°C	Db	IP66	❄️-20°C ÷ ☀️+40°C ❄️-20°C ÷ ☀️+80°C

Materiale : corpo : lega leggera
trasparente : vetro borosilicato
globo fresnel in policarbonato (norme ICAO)
portalampane : ceramico

Installazione : varie (vedi dettagli)

Viteria : Acciaio inox AISI 304 - Staffe in acciaio zincato

Guarnizioni : +40°C EPDM , +60°C Silicone

Morsettiera : 4 mm²

Potenza : Vedi tabella

Ingresso : N° 1 ø3/4"

Material : body : light alloy
transparent : borosilicate glass
lamp holder : ceramic
Fresnel polycarbonate globe (ICAO standard)
various (see details)

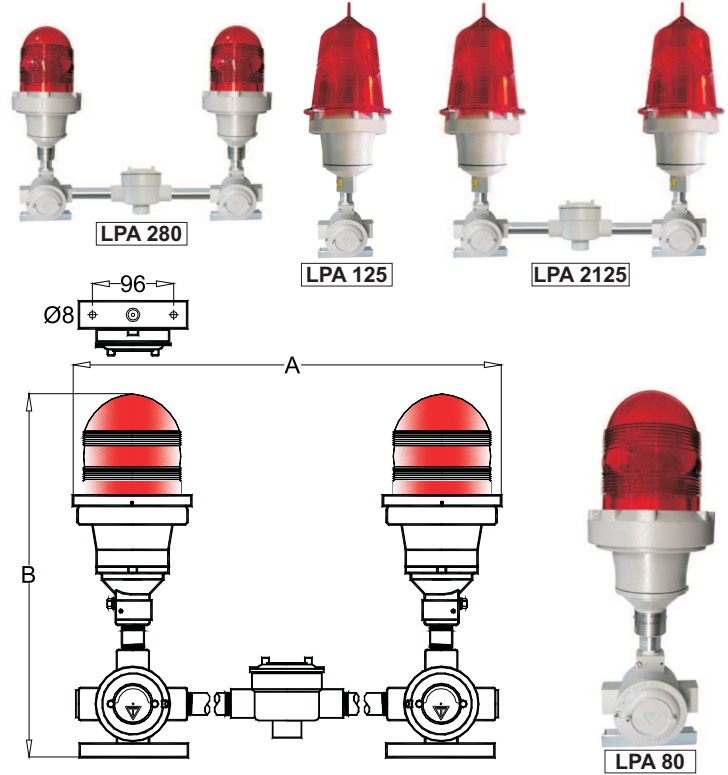
Installation : Stainless steel AISI 304 - Galvanized steel lugs

Gaskets : +40°C EPDM , +60°C Silicon

Terminals : 4 mm²

Power : See table

Cable entry : N° 1 ø3/4"



Codice / Code	EVA	ØA	B	[kg]
LPA 80	1 x EVA 50	128	430	3,0
LPA 280	2 x EVA 50	540	430	6,5
LPA 125	1 x EVA 125	174	560	5,5
LPA 2125	2 x EVA 125	590	560	12,0

	Codice Code	[Vac]	Codice Code	[Vac/dc]	Colore Color	Funzione Function	EVA EVA	Lamp led Led tower	[W]
	EV ..TL0..FA110230	110+230 50+60Hz	EV ..TL0..FA24	24	blu - blue	luce fissa steady light	EVA 50	60 led	5+6
	EV ..TL0..FB110230		EV ..TL0..FB24		bianco - white		EVA 125	80 led	6+7
	EV ..TL0..FG110230		EV ..TL0..FG24		giallo - yellow		EVA 125	100 led	7+8
	EV ..TL0..FR110230		EV ..TL0..FR24		rosso - red		EVA 125	120 led	8+9
EV ..TL0..FV110230	EV ..TL0..FV24		verde - green		EVA 125		180 led	12+15	
EV ..TL0..LA110230	110+230 50+60Hz	EV ..TL0..LA24	24	blu - blue	luce lamp. flashing light	EVA 50	60 led	5+6	
EV ..TL0..LB110230		EV ..TL0..LB24		bianco - white		EVA 125	80 led	6+7	
EV ..TL0..LG110230		EV ..TL0..LG24		giallo - yellow		EVA 125	100 led	7+8	
EV ..TL0..LR110230		EV ..TL0..LR24		rosso - red		EVA 125	120 led	8+9	
EV ..TL0..LV110230		EV ..TL0..LV24		verde - green		EVA 125	180 led	12+15	
EV ..TL0..RA110230	110+230 50+60Hz	EV ..TL0..RA24	24	blu - blue	luce rotante rotating light	EVA 50	60 led	5+6	
EV ..TL0..RB110230		EV ..TL0..RB24		bianco - white		EVA 125	80 led	6+7	
EV ..TL0..RG110230		EV ..TL0..RG24		giallo - yellow		EVA 125	100 led	7+8	
EV ..TL0..RR110230		EV ..TL0..RR24		rosso - red		EVA 125	120 led	8+9	
EV ..TL0..RV110230		EV ..TL0..RV24		verde - green		EVA 125	180 led	12+15	

	Codice Code	[Vac]	Codice Code	[Vac/dc]	Xenon Xenon	Colore Color	Funzione Function	EVA EVA	[W]
	EV 50LAX110+230	110-230 50+60Hz	EV 50LAX24	24	6 JOULE	blu - blue giallo - yellow rosso - red verde - green	luce lamp. flashing light	EVA 50	10
	EV 50LBX110+230		EV 50LBX24						
	EV 50LGX110+230		EV 50LGX24						
	EV 50LRX110+230		EV 50LRX24						
EV 50LVX110-230	EV 50LVX24								
EV 125L16AX110+230	110-230 50+60Hz	EV 125L16AX24	24	16 JOULE	blu - blue giallo - yellow rosso - red verde - green	luce lamp. flashing light	EVA 125	20	
EV 125L16BX110+230		EV 125L16BX24							
EV 125L16GX110+230		EV 125L16GX24							
EV 125L16RX110+230		EV 125L16RX24							
EV 125L16VX110+230		EV 125L16VX24							
EV 125L20AX110+230	110-230 50+60Hz	EV 125L20AX24	24	20 JOULE	blu - blue giallo - yellow rosso - red verde - green	luce lamp. flashing light	EVA 125	30	
EV 125L20BX110+230		EV 125L20BX24							
EV 125L20GX110+230		EV 125L20GX24							
EV 125L20RX110+230		EV 125L20RX24							
EV 125L20VX110+230		EV 125L20VX24							

esempio : EV 80TL100RG24 : lampada tower led a N° 100 led 24Vac/dc luce gialla rotante
sample : EV 80TL100RG24 : tower led lamp with N° 100 led 24Vac/dc rotating yellow light

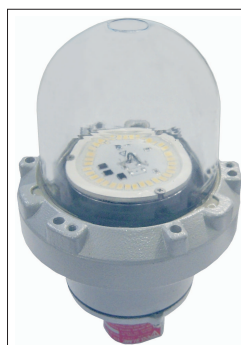
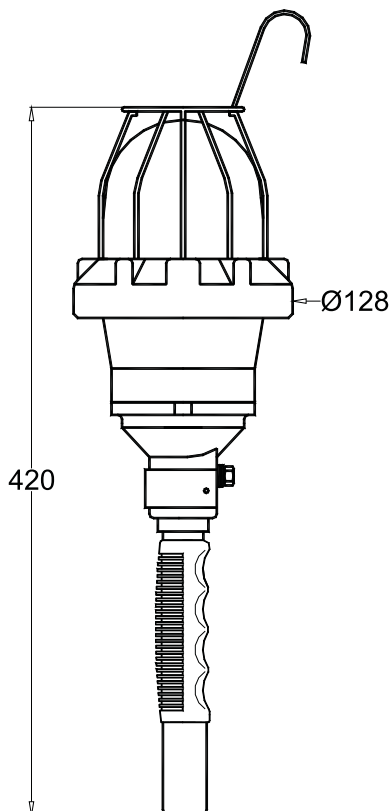
Ex	GAS	IIG Ex d IIC T3 ÷ T5	Gb	IP66	Zone 1 - Zone 21 - Zone 2 - Zone 22	
	DUST	II2D Ex tb IIIC T95°C ÷ T195°C	Db	IP66	❄️ -20°C ÷ ☀️ +40°C	❄️ -20°C ÷ ☀️ +80°C

Materiale :	corpo : lega leggera trasparente : vetro borosilicato portalampade : ceramico E27 gabbia : acciaio zincato gabbia : a richiesta Acciaio inox AISI 304
Viteria :	Acciaio inox AISI 304
Guarnizioni :	+40°C EPDM , +60°C Silicone
Impugnatura :	Gomma EPDM
Collegamento :	Morsettiera sul ortalampade
Ingresso :	N° 1 ø1/2"
Peso :	max 2 kg
Material :	body : light alloy transparent : borosilicate glass lamp holder : E27 ceramic guard : galvanized steel guard : on demand Stainless steel AISI 304
Gaskets :	+40°C EPDM , +60°C Silicon
Hand grip :	EPDM rubber
Connection :	terminals on lamp holder
Cable entry :	N° 1 ø1/2"
Weight :	max 2 kg

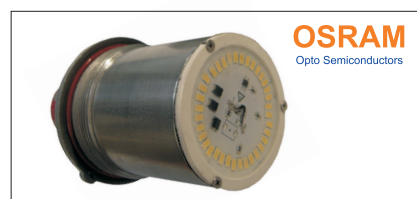


Potenza :	max 100W
Tensione :	230V a richiesta altre tensioni
Frequenza :	50Hz + 60Hz
Morsettiera :	2,5mm ²
Power :	max 100W
Voltage :	230V other voltages on request
Frequency :	50Hz + 60Hz
Terminals :	2,5mm ²

Codice Code	Potenza Power	Attacco Cap	Temp class @+40°C	Temp class @+60°C	Temp class @+80°C	Peso Weight
Incandescenza - alogene - led - fluorescenti / Incandescent - halogen - led- fluorescent						
EVP 50	max 75 W	E27	T5	T4	T4	1,8
EVP 50	max 100 W	E27	T4	T4	T3	2,0
EVP 50ML	max 20W	multi led	T5	T4	N.A.	2,2



Future Proof





GAS	II2G Ex d IIC T3 ÷ T5	Gb	IP66	Zone 1 - Zone 21 - Zone 2 - Zone 22
DUST	II2D Ex tb IIIC T95°C ÷ T195°C	Db	IP66	-20°C ÷ +40°C -20°C ÷ +80°C

Materiale : corpo : lega leggera
trasparente : vetro borosilicato
portalampane : ceramico

Installazione : varie (vedi dettagli)

Viteria : Acciaio inox AISI 304 - Staffe in acciaio zincato

Guarnizioni : +40°C EPDM , +60°C Silicone

Ingresso : ø3/4" (EVA80+250) - ø1" (EVA400)

Morsettiera : 2.5 mm²

Material : body : light alloy
transparent : borosilicate glass
lamp holder : ceramic

Installation : various (see details)

Hardware : Stainless steel AISI 304 - Galvanized steel lugs

Gaskets : +40°C EPDM , +60°C Silicon



Codice Code	Grandezza Size	Potenza Power	Attacco Cap	T. class @+40°C	T. class @+60°C	A	(*A)	B	(*B)	Custodia reattore Ballast enclosure		Ingresso Cable entry	Peso Weight
										Con condensatore With capacitor	(* Senza condensatore With out capacitor)		
Vapori di mercurio / Mercury vapour													
EWA 80RHg	EVA 80	80 W	E27	T4	T4	453	453			EW.. 29	EW.. 29	1 x Ø 3/4"	
EWA 125RHg	EVA 125	125 W	E27	T4	T4	476	476			EW.. 29	EW.. 29	1 x Ø 3/4"	
EWA 250RHg	EVA 250	250 W	E40	T3	T3	554	607			EW.. 29	EW.. 240	1 x Ø 3/4"	
EWA 400RHg	EVA 400	400W	E40	T3	T3	642	642			EW.. 240	EW.. 240	1 x Ø 1"	
EWCT 80RHg	EVA 80	80 W	E27	T4	T4	453	507			EW.. 29	EW.. 240	2 x Ø 3/4"	
EWCT 125RHg	EVA 125	125W	E27	T4	T4	476	529			EW.. 29	EW.. 240	2 x Ø 3/4"	
EWCT 250RHg	EVA 250	250 W	E40	T3	T3	554	607			EW.. 29	EW.. 240	2 x Ø 3/4"	
EWCT 400RHg	EVA 400	400W	E40	T3	T3	642	642			EW.. 240	EW.. 240	2 x Ø 3/4"	
EWJ 80RHg	EVA 80	80 W	E27	T4	T4	453	507	290	280	EW.. 29	EW.. 240	2 x Ø 3/4"	
EWJ 125RHg	EVA 125	125W	E27	T4	T4	476	529	606	297	EW.. 29	EW.. 240	2 x Ø 3/4"	
EWJ 250RHg	EVA 250	250 W	E40	T3	T3	554	607	360	352	EW.. 29	EW.. 240	2 x Ø 3/4"	

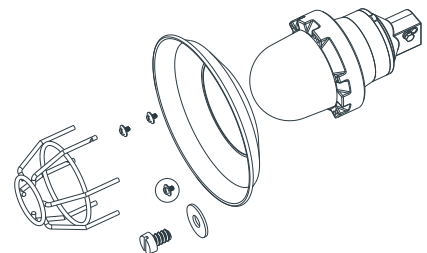
TIPO EWA Sospensione
EWA type Suspended mounting



TIPO EWCT Soffitto
EWCT type Ceiling mounting



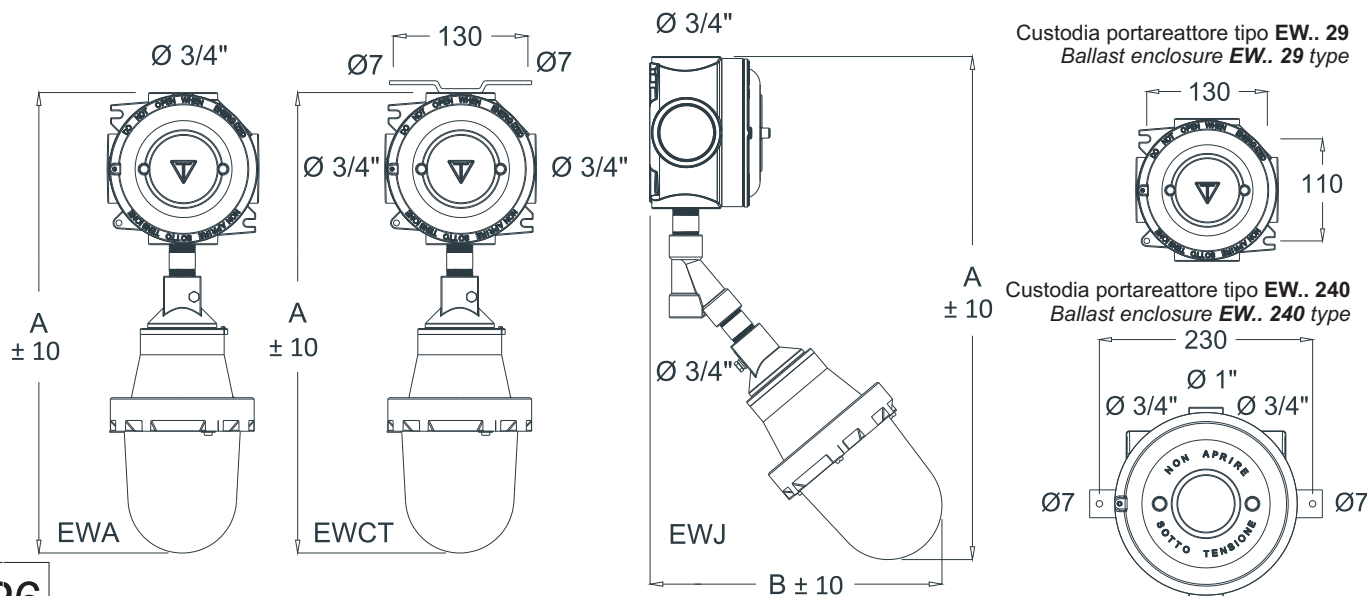
TIPO EWJ Parete
EWJ type Wall mounting



Accessori Accessories	Suffisso Suffix
Riflettore / Reflector	D
Lampada / Lamp	L
Gabbia / Steel Guard	P
Gabbia / Stainless steel Guard	PY

Ex	GAS	II2G Ex d IIC T3 ÷ T5	Gb	IP66	Zone 1 - Zone 21 - Zone 2 - Zone 22		
	DUST	II2D Ex tb IIIC T95°C ÷ T195°C	Db	IP66	❄️-20°C ÷ ☀️+40°C	❄️-20°C ÷ ☀️+80°C	

Codice Code	Grandezza Size	Potenza Power	Attacco Cap	T. class @+40°C	T. class @+60°C	A	(*)A	B	(*)B	Custodia reattore Ballast enclosure		Ingresso Cable entry	Peso Weight
										Con condensatore With capacitor	(*) Senza condensatore With out capacitor		
Ioduri metallici / Metal halide													
EWA 100RMH	EVA 80	100 W	E27	T4	T4	507	507			EW.. 240	EW.. 240	1 x Ø 3/4"	
EWA 150RMH	EVA 80	150 W	E27	T3	T3	507	507			EW.. 240	EW.. 240	1 x Ø 3/4"	
EWA 250RMH	EVA 250	250W (2,15 A)	E40	T3	T3	607	607			EW.. 240	EW.. 240	1 x Ø 3/4"	
EWA 400RHg	EVA 400	400W (3,25 A)	E40	T3	T3	642	642			EW.. 240	EW.. 240	1 x Ø 1"	
EWCT 100RMH	EVA 80	100 W	E27	T4	T4	507	507			EW.. 240	EW.. 240	2 x Ø 3/4"	
EWCT 150RMH	EVA 80	150W	E27	T3	T3	507	507			EW.. 240	EW.. 240	2 x Ø 3/4"	
EWCT 250RMH	EVA 250	250W (2,15 A)	E40	T3	T3	607	607			EW.. 240	EW.. 240	2 x Ø 3/4"	
EWCT 400RMH	EVA 400	400W (3,25 A)	E40	T3	T3	642	642			EW.. 240	EW.. 240	2 x Ø 3/4"	
EWJ 100RMH	EVA 80	100 W	E27	T4	T4	560	560	284	284	EW.. 240	EW.. 240	2 x Ø 3/4"	
EWJ 150RMH	EVA 80	150W	E27	T3	T3	560	560	284	284	EW.. 240	EW.. 240	2 x Ø 3/4"	
EWJ 250RMH	EVA 250	250W (2,15 A)	E40	T3	T3	640	640	284	284	EW.. 240	EW 240	2 x Ø 3/4"	
Sodio alta pressione / high pressure sodium													
EWA 70RNa	EVA 80	70W	E27	T4	T4	507	507			EW.. 240	EW.. 240	1 x Ø 3/4"	
EWA 150RNa	EVA 250	150W	E40	T3	T3	607	507			EW.. 240	EW.. 240	1 x Ø 3/4"	
EWA 250RNa	EVA 250	250W	E40	T3	T3	607	607			EW.. 240	EW.. 240	1 x Ø 3/4"	
EWA 400RNa	EVA 400	400W	E40	T3	T3	642	642			EW.. 240	EW.. 240	1 x Ø 1"	
EWCT 70RNa	EVA 250	70W	E27	T4	T4	507	507			EW.. 240	EW.. 240	2 x Ø 3/4"	
EWCT 150RNa	EVA 250	150W	E40	T3	T3	607	607			EW.. 240	EW.. 240	2 x Ø 3/4"	
EWCT 250RNa	EVA 250	250W	E40	T3	T3	607	607			EW.. 240	EW.. 240	2 x Ø 3/4"	
EWCT 400RNa	EVA 400	400W	E40	T3	T3	642	642			EW.. 240	EW.. 240	2 x Ø 3/4"	
EWJ 70RNa	EVA 80	70W	E27	T4	T4	507	507	284	284	EW.. 240	EW.. 240	2 x Ø 3/4"	
EWJ 150RNa	EVA 250	150W	E40	T3	T3	607	607	355	355	EW.. 240	EW.. 240	2 x Ø 3/4"	
EWJ 250RNa	EVA 250	250W	E40	T3	T3	607	607	355	355	EW.. 240	EW.. 240	2 x Ø 3/4"	



P6



GAS	II2G Ex d IIC T4 ÷ T5	Gb	IP66	Zone 1 - Zone 21 - Zone 2 - Zone 22
DUST	II2D Ex tb IIIC T95°C ÷ T130°C	Db	IP66	-20°C ÷ +40°C -20°C ÷ +80°C

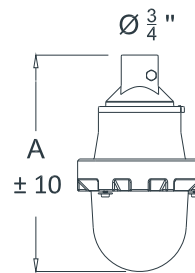
Materiale : corpo : lega leggera
trasparente : vetro borosilicato
portalampane : ceramico
Installazione : varie (vedi dettagli)
Viteria : Acciaio inox AISI 304 - Staffe in acciaio zincato

Guarnizioni : +40°C EPDM , +60°C Silicone
Ingresso : ø3/4" (EVA50÷250)
Morsettiera : 2.5 mm²

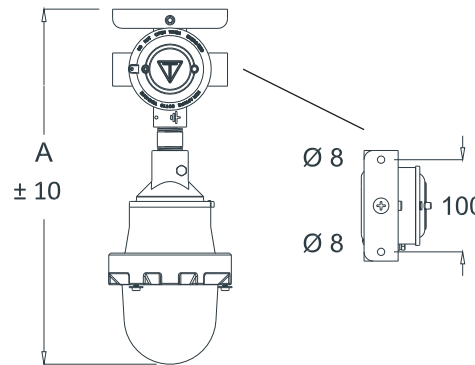
Material : body : light alloy
transparent : borosilicate glass
lamp holder : ceramic
Installation : various (see details)
Hardware : Stainless steel AISI 304 - Galvanized steel lugs
Gaskets : +40°C EPDM , +60°C Silicon



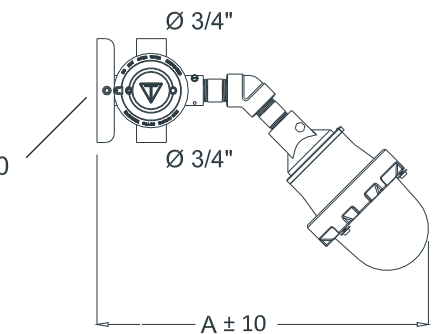
	Codice Code	A
Installazione a sospensione Suspended mounting	EVA 50	223
	EVA 80	264
	EVA 125	294
	EVA 250	375
	EVA 400	*
Installazione a soffitto Ceiling mounting	EVCT 50	370.5
	EVCT 80	428
	EVCT 125	450
	EVJT 250	528
	EVJT 400	*
Installazione a parete Wall mounting	EVJT 50	383
	EVJT 80	426
	EVJT 125	430
	EVJT 250	484.5
	EVJT 400	*



TIPO EVA a Sospensione
EVA type Suspended mounting



TIPO EVCT a Soffitto
EVCT type Ceiling mounting



TIPO EVJT Parete
EVJT type Wall mounting

* Vedere EVG 400 / See EVG 400

Accessori Accessories	Suffisso Suffix	Nota Note
Riflettore / Reflector	D	Alluminio anodizzato / Anodized aluminium
Lampada / Lamp	L	Indicare potenza e tensione / Add power and voltage
Gabbia / Guard	P	Acciaio zincato / Galvanized steel
Gabbia / Guard	PY	Acciaio inox / Stainless steel

