



**CO.SI.ME.**  
EQUIPMENT FOR ATEX

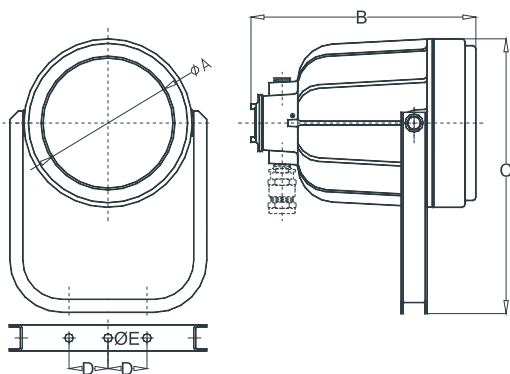
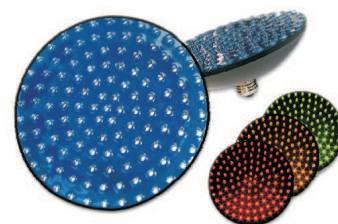




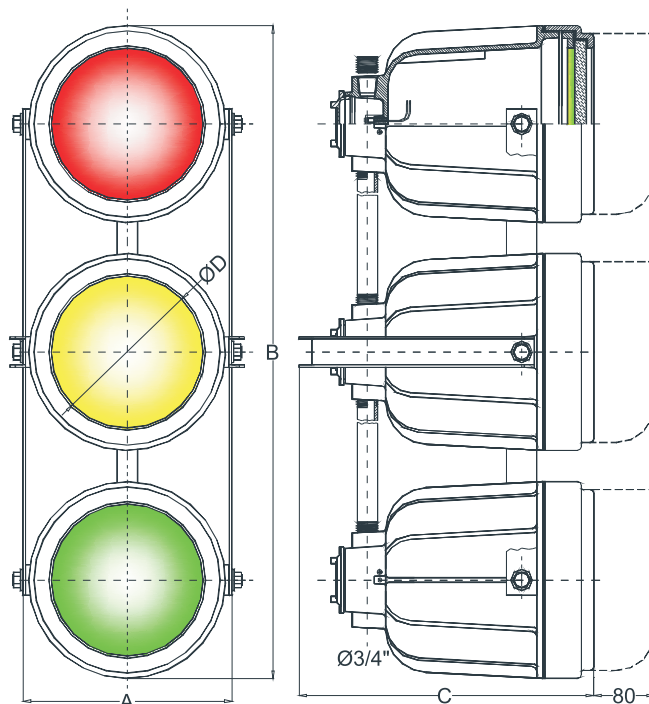
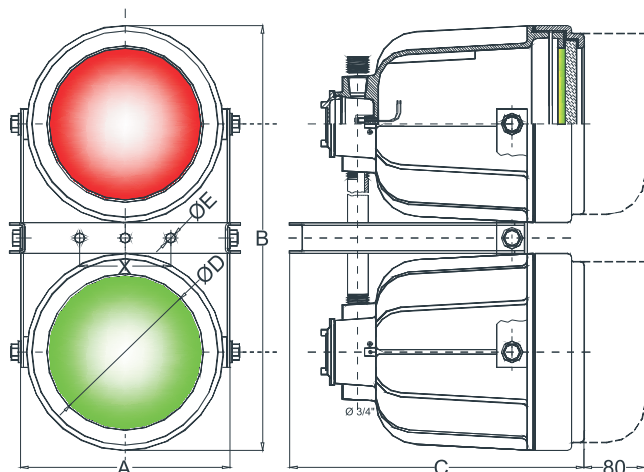
<b>GAS</b>	<b>II2G Ex ed IC T5 ÷ T4</b>	<b>Gb</b>	<b>IP66</b>	<b>Zone 1 - Zone 21 - Zone 2 - Zone 22</b>
<b>DUST</b>	<b>II2D Ex tb IIIC T95°C ÷ T130°C</b>	<b>Db</b>	<b>IP66</b>	<b>❄️-20°C ÷ ☀️+40°C    ❄️-20°C ÷ ☀️+60°C</b>

**Materiale :** corpo : lega leggera  
trasparente : vetro temperato  
portalampane E27 : ceramico  
Installazione : con staffa in acciaio inox AISI 304  
Viteria : Acciaio inox AISI 304  
Guarnizioni : +40°C EPDM , +60°C Silicone  
Collegamento : al portalampane o morsetto 2x 2,5mm<sup>2</sup>  
Ingresso : N° 2 ø3/4"  
Peso : 7.0 kg

**Material :** body : light alloy  
transparent : tempered glass  
E27 lamp holder : ceramic  
with stainless steel AISI 304 bracket  
**Hardware :** Stainless steel AISI 304  
**Gaskets :** +40°C EPDM , +60°C Silicon  
**Connection :** to lampholder or terminals 2x2,5mm<sup>2</sup>  
**Cable entry :** N° 2 ø3/4"  
**Weight :** 7,0 kg



Codice Code	[W] [W]	ØA	B	C	D	ØE	[V] [V]	T class @+40°C	T class @+60°C	Peso[kg] Weight [kg]
<b>EWL 125..</b>	max 70	140	265	300	35	11	24+230	T5	T4	7,0
<b>EWL 400..</b>	max 120	200	345	425	60	13	24+230	T5	T4	14,0



Codice Code	[W] [W]	A	B	C	ØD	ØE	X	Peso[kg] Weight [kg]
<b>WLD 125..</b>	max 70	245	410	270	140	11	70	18,0
<b>WLD 400..</b>	max 120	275	560	390	200	13	120	35,0
<b>WLT 125..</b>	max 70	245	620	270	140	11	70	28,0
<b>WLT 400..</b>	max 120	275	860	390	200	13	120	55,0