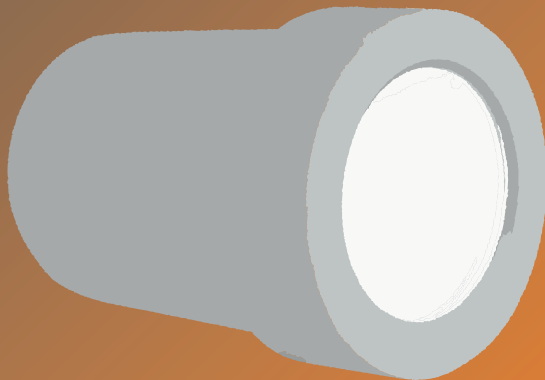
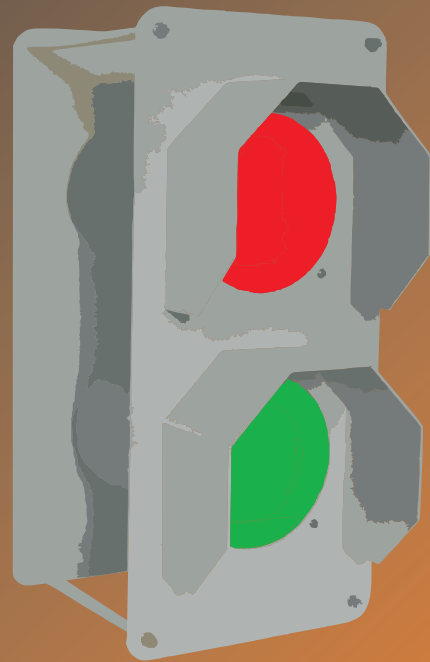
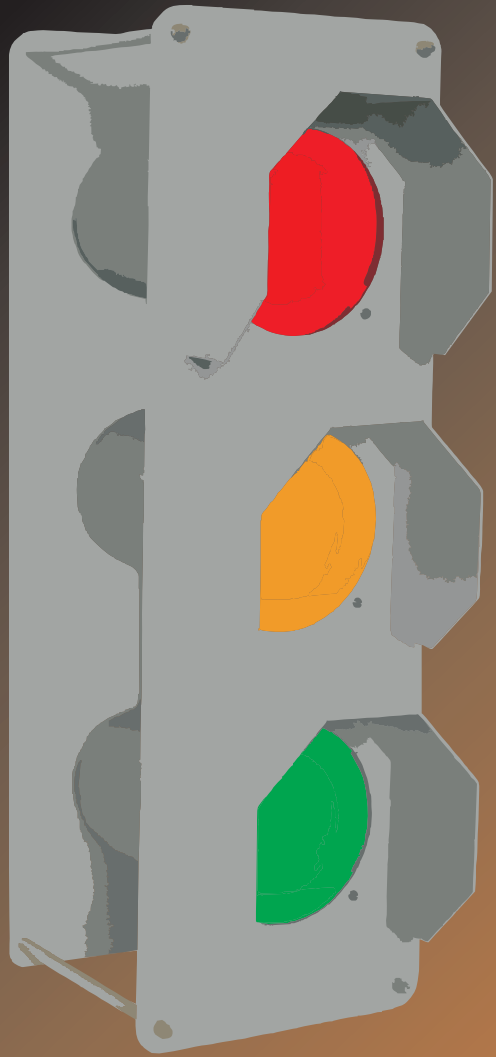




**CO.SI.ME.**  
EQUIPMENT FOR ATEX

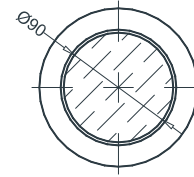
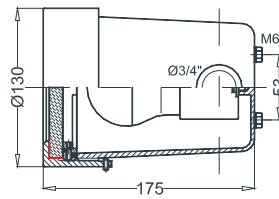




<b>GAS</b>	<b>II2G Ex d IIC T5 ÷ T4</b>	<b>Gb</b>	<b>IP66</b>	<b>Zone 1 - Zone 21 - Zone 2 - Zone 22</b>
<b>DUST</b>	<b>II2D Ex tb IIIC T95°C ÷ T130°C</b>	<b>Db</b>	<b>IP66</b>	<b>❄️-20°C ÷ ☀️+40°C    ❄️-20°C ÷ ☀️+60°C</b>

**Materiale :** corpo : lega leggera  
trasparente : vetro temperato  
portalampane E27 : ceramico  
**Installazione :** con staffa in acciaio inox AISI 304  
**Viteria :** Acciaio inox AISI 304  
**Guarnizioni :** +40°C EPDM , +60°C Silicone  
**Collegamento :** al portalampane o morsetto 2x 2,5mm<sup>2</sup>  
**Ingresso :** N° 1 ø3/4"  
**Peso :** 2,5 kg

**Material :** body : light alloy  
transparent : tempered glass  
E27 lamp holder : ceramic  
with stainless steel AISI 304 bracket  
**Installation :** with stainless steel AISI 304 bracket  
**Hardware :** Stainless steel AISI 304  
**Gaskets :** +40°C EPDM , +60°C Silicon  
**Connection :** to lampholder or terminals 2x2,5mm<sup>2</sup>  
**Cable entry :** N° 1 ø3/4"  
**Weight :** 2,5 kg

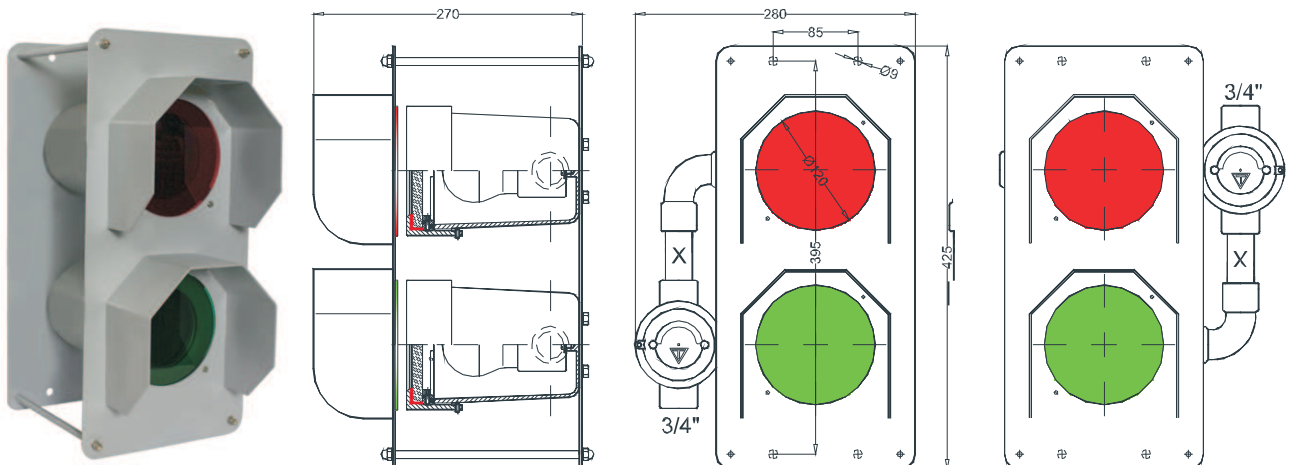


**Potenza :** max LED 30W  
**Tensione :** 230V a richiesta altre tensioni  
**Frequenza :** 50Hz + 60Hz

**Power :** max LED 30W  
**Voltage :** 230V other voltages on request  
**Frequency :** 50Hz + 60Hz

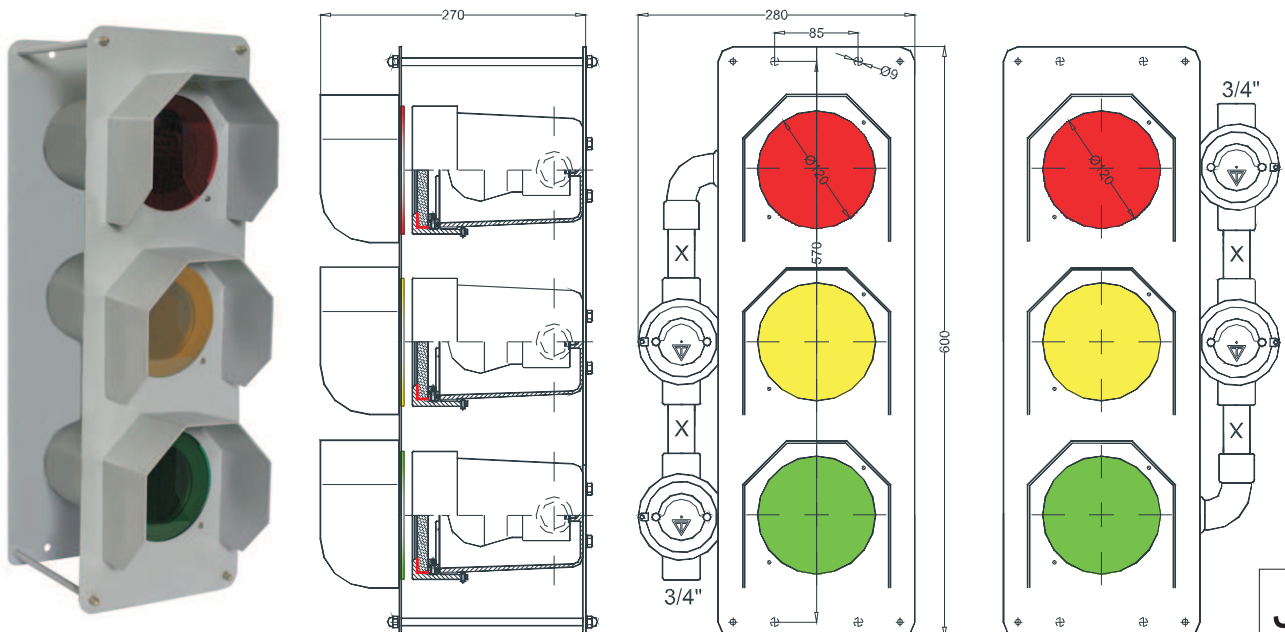
**SEMAFORO A LED**  
**LED TRAFFIC LIGHT**

**TLD**



**SEMAFORO A LED**  
**LED TRAFFIC LIGHT**

**TLT**



**J4**